

New partnumbers on stock  
according to ATE pn.



04/2008



[www.ate.de](http://www.ate.de)



|  |  |  |  |  |                        |  |                                   |
|--|--|--|--|--|------------------------|--|-----------------------------------|
|  |  |  |  |  | OE numbers per ATE pn. |  | e.g. replaced pn. / miscellaneous |
|--|--|--|--|--|------------------------|--|-----------------------------------|



## BAH - Drum brake shoes rear

|                |               |         |                                  |              |  |         |         |               |  |
|----------------|---------------|---------|----------------------------------|--------------|--|---------|---------|---------------|--|
| 03.0137-0487.2 | <b>650487</b> | SMART   | FORTWO CONVERTIBLE (BM451) (07-) | 1,0 Turbo    |  | 04.2007 |         | 451 423 00 08 |  |
|                |               | SMART   | FORTWO CONVERTIBLE (BM451) (07-) | 1,0 BRABUS   |  | 07.2007 |         | 451 423 00 08 |  |
|                |               | SMART   | FORTWO CONVERTIBLE (BM451) (07-) | 1            |  | 04.2007 |         | 451 423 00 08 |  |
|                |               | SMART   | FORTWO CONVERTIBLE (BM451) (07-) | 0,8 CDI      |  | 04.2007 |         | 451 423 00 08 |  |
|                |               | SMART   | FORTWO COUPE (BM451) (07-)       | 1,0 Turbo    |  | 04.2007 |         | 451 423 00 08 |  |
|                |               | SMART   | FORTWO COUPE (BM451) (07-)       | 1,0 BRABUS   |  | 07.2007 |         | 451 423 00 08 |  |
|                |               | SMART   | FORTWO COUPE (BM451) (07-)       | 1            |  | 04.2007 |         | 451 423 00 08 |  |
|                |               | SMART   | FORTWO COUPE (BM451) (07-)       | 0,8 CDI      |  | 04.2007 |         | 451 423 00 08 |  |
| 03.0137-0488.2 | <b>650488</b> | HYUNDAI | H-1 Van (00-)                    | 2,4          |  | 11.2001 |         | 58305-4AA00   |  |
|                |               | HYUNDAI | H-1 Van (00-)                    | 2,4 4x4      |  | 03.2000 |         | 58305-4AA00   |  |
|                |               | HYUNDAI | H-1 Van (00-)                    | 2,4          |  | 03.2000 |         | 58305-4AA00   |  |
|                |               | HYUNDAI | H-1 Van (00-)                    | 2,5 CRDi     |  | 08.2003 |         | 58305-4AA00   |  |
|                |               | HYUNDAI | H-1 Van (00-)                    | 2,5 TDiC     |  | 03.2000 |         | 58305-4AA00   |  |
|                |               | HYUNDAI | H-1 Van (00-)                    |              |  | 03.2000 | 09.2000 | 58305-4AA00   |  |
|                |               | HYUNDAI | STAREX (H1) (97-)                | 2,5 TDiC 4x4 |  | 02.1998 | 10.2002 | 58305-4AA00   |  |
|                |               | HYUNDAI | STAREX (H1) (97-)                | 2,4          |  | 06.1997 | 09.2003 | 58305-4AA00   |  |
|                |               | HYUNDAI | STAREX (H1) (97-)                | 2,4 4x4      |  | 02.1998 | 09.2003 | 58305-4AA00   |  |
|                |               | HYUNDAI | STAREX (H1) (97-)                | 2,5 TDiC     |  | 06.1997 | 10.2002 | 58305-4AA00   |  |



|  |  |  |  |  |                        |  |                                   |
|--|--|--|--|--|------------------------|--|-----------------------------------|
|  |  |  |  |  | OE numbers per ATE pn. |  | e.g. replaced pn. / miscellaneous |
|--|--|--|--|--|------------------------|--|-----------------------------------|



## BAH - Drum brake shoes rear

|                |               |            |                         |              |  |         |         |                       |  |
|----------------|---------------|------------|-------------------------|--------------|--|---------|---------|-----------------------|--|
| 03.0137-0488.2 | <b>650488</b> | HYUNDAI    | STAREX (H1) (97-)       | 2,5 CRDi     |  | 12.2002 |         | 58305-4AA00           |  |
|                |               | HYUNDAI    | STAREX (H1) (97-)       | 2,5 CRDi 4x4 |  | 12.2002 |         | 58305-4AA00           |  |
|                |               | HYUNDAI    | STAREX (H1) (97-)       | 2,5 TCi      |  | 06.2000 |         | 58305-4AA00           |  |
| 03.0137-9282.2 | <b>669282</b> | LAND ROVER | FREELANDER (LN) (98-07) | 2,0 TD4      |  |         | 03.2007 | SMN100250 , SMN000020 |  |
|                |               | LAND ROVER | FREELANDER (LN) (98-07) | 2,5 V6       |  | 11.2000 |         | SMN100250 , SMN000020 |  |
|                |               | LAND ROVER | FREELANDER (LN) (98-07) | 2,0 TD4      |  | 11.2000 |         | SMN100250 , SMN000020 |  |
|                |               | LAND ROVER | FREELANDER (LN) (98-07) | 2,0 DI       |  |         | 03.2007 | SMN100250 , SMN000020 |  |
|                |               | LAND ROVER | FREELANDER (LN) (98-07) |              |  | 02.1998 |         | SMN100250 , SMN000020 |  |
|                |               | LAND ROVER | FREELANDER (LN) (98-07) | 1,8i 16V     |  |         | 03.2007 | SMN100250 , SMN000020 |  |
|                |               | LAND ROVER | FREELANDER (LN) (98-07) |              |  | 02.1998 |         | SMN100250 , SMN000020 |  |
|                |               | LAND ROVER | FREELANDER (LN) (98-07) | 2,5 V6       |  |         | 03.2007 | SMN100250 , SMN000020 |  |



## BSH - Brake hose rear

|                |               |      |                  |                 |  |         |  |                               |                |
|----------------|---------------|------|------------------|-----------------|--|---------|--|-------------------------------|----------------|
| 24.5138-0263.3 | <b>330885</b> | AUDI | A4 (B6/B7) (01-) | 2,4             |  | 09.2001 |  | 8E0 611 775 N , 8E0 611 775 H | 24.5243-0260.3 |
|                |               | AUDI | A4 (B6/B7) (01-) | 2,0 TDI Quattro |  | 01.2006 |  | 8E0 611 775 N , 8E0 611 775 H | 24.5243-0260.3 |
|                |               | AUDI | A4 (B6/B7) (01-) | 2,0 TDI         |  | 11.2004 |  | 8E0 611 775 N , 8E0 611 775 H | 24.5243-0260.3 |



|  |  |  |  |  |                        |  |                                   |
|--|--|--|--|--|------------------------|--|-----------------------------------|
|  |  |  |  |  | OE numbers per ATE pn. |  | e.g. replaced pn. / miscellaneous |
|--|--|--|--|--|------------------------|--|-----------------------------------|



## BSH - Brake hose rear

|                |        |      |                  |                 |         |                               |                |
|----------------|--------|------|------------------|-----------------|---------|-------------------------------|----------------|
| 24.5138-0263.3 | 330885 | AUDI | A4 (B6/B7) (01-) | 2,0 TDI         | 06.2006 | 8E0 611 775 N , 8E0 611 775 H | 24.5243-0260.3 |
|                |        | AUDI | A4 (B6/B7) (01-) | 2,0 FSI         | 07.2002 | 8E0 611 775 N , 8E0 611 775 H | 24.5243-0260.3 |
|                |        | AUDI | A4 (B6/B7) (01-) | 2               | 12.2000 | 8E0 611 775 N , 8E0 611 775 H | 24.5243-0260.3 |
|                |        | AUDI | A4 (B6/B7) (01-) | 1,9 TDI Quattro | 12.2000 | 8E0 611 775 N , 8E0 611 775 H | 24.5243-0260.3 |
|                |        | AUDI | A4 (B6/B7) (01-) | 1,9 TDI         | 12.2000 | 8E0 611 775 N , 8E0 611 775 H | 24.5243-0260.3 |
|                |        | AUDI | A4 (B6/B7) (01-) |                 | 06.2004 | 8E0 611 775 N , 8E0 611 775 H | 24.5243-0260.3 |
|                |        | AUDI | A4 (B6/B7) (01-) |                 | 04.2001 | 8E0 611 775 N , 8E0 611 775 H | 24.5243-0260.3 |
|                |        | AUDI | A4 (B6/B7) (01-) | 1,8 T Quattro   | 12.2000 | 8E0 611 775 N , 8E0 611 775 H | 24.5243-0260.3 |
|                |        | AUDI | A4 (B6/B7) (01-) | 2,7 TDI         | 01.2006 | 8E0 611 775 N , 8E0 611 775 H | 24.5243-0260.3 |
|                |        | AUDI | A4 (B6/B7) (01-) | 2,0 TDI Quattro | 06.2006 | 8E0 611 775 N , 8E0 611 775 H | 24.5243-0260.3 |
|                |        | AUDI | A4 (B6/B7) (01-) | 2,5 TDI         | 12.2000 | 8E0 611 775 N , 8E0 611 775 H | 24.5243-0260.3 |
|                |        | AUDI | A4 (B6/B7) (01-) | 2,0 TFSI        | 06.2005 | 8E0 611 775 N , 8E0 611 775 H | 24.5243-0260.3 |



|  |  |  |  |  |                        |  |                                   |
|--|--|--|--|--|------------------------|--|-----------------------------------|
|  |  |  |  |  | OE numbers per ATE pn. |  | e.g. replaced pn. / miscellaneous |
|--|--|--|--|--|------------------------|--|-----------------------------------|



## BSH - Brake hose rear

|                |        |      |                  |                  |  |         |  |                               |                |
|----------------|--------|------|------------------|------------------|--|---------|--|-------------------------------|----------------|
| 24.5138-0263.3 | 330885 | AUDI | A4 (B6/B7) (01-) | 2,0 TFSI Quattro |  | 11.2004 |  | 8E0 611 775 N , 8E0 611 775 H | 24.5243-0260.3 |
|                |        | AUDI | A4 (B6/B7) (01-) |                  |  | 06.2005 |  | 8E0 611 775 N , 8E0 611 775 H | 24.5243-0260.3 |
|                |        | AUDI | A4 (B6/B7) (01-) | 3                |  | 12.2000 |  | 8E0 611 775 N , 8E0 611 775 H | 24.5243-0260.3 |
|                |        | AUDI | A4 (B6/B7) (01-) | 1,8 T Quattro    |  | 11.2002 |  | 8E0 611 775 N , 8E0 611 775 H | 24.5243-0260.3 |
|                |        | AUDI | A4 (B6/B7) (01-) |                  |  | 07.2002 |  | 8E0 611 775 N , 8E0 611 775 H | 24.5243-0260.3 |
|                |        | AUDI | A4 (B6/B7) (01-) |                  |  | 07.2001 |  | 8E0 611 775 N , 8E0 611 775 H | 24.5243-0260.3 |
|                |        | AUDI | A4 (B6/B7) (01-) | 1,8 T            |  | 12.2000 |  | 8E0 611 775 N , 8E0 611 775 H | 24.5243-0260.3 |
|                |        | AUDI | A4 (B6/B7) (01-) |                  |  | 11.2002 |  | 8E0 611 775 N , 8E0 611 775 H | 24.5243-0260.3 |
|                |        | AUDI | A4 (B6/B7) (01-) |                  |  | 07.2002 |  | 8E0 611 775 N , 8E0 611 775 H | 24.5243-0260.3 |
|                |        | AUDI | A4 (B6/B7) (01-) |                  |  | 07.2001 |  | 8E0 611 775 N , 8E0 611 775 H | 24.5243-0260.3 |
|                |        | AUDI | A4 (B6/B7) (01-) | 1,6              |  | 12.2000 |  | 8E0 611 775 N , 8E0 611 775 H | 24.5243-0260.3 |
|                |        | AUDI | A4 (B6/B7) (01-) | 2,5 TDI Quattro  |  | 12.2000 |  | 8E0 611 775 N , 8E0 611 775 H | 24.5243-0260.3 |



|  |  |  |  |  |                        |  |                                   |
|--|--|--|--|--|------------------------|--|-----------------------------------|
|  |  |  |  |  | OE numbers per ATE pn. |  | e.g. replaced pn. / miscellaneous |
|--|--|--|--|--|------------------------|--|-----------------------------------|



## BSH - Brake hose rear

|                |        |      |                      |                 |         |                               |                |
|----------------|--------|------|----------------------|-----------------|---------|-------------------------------|----------------|
| 24.5138-0263.3 | 330885 | AUDI | A4 (B6/B7) (01-)     | S4 4,2          | 03.2003 | 8E0 611 775 N , 8E0 611 775 H | 24.5243-0260.3 |
|                |        | AUDI | A4 (B6/B7) (01-)     | 3,0 Quattro     | 12.2000 | 8E0 611 775 N , 8E0 611 775 H | 24.5243-0260.3 |
|                |        | AUDI | A4 (B6/B7) (01-)     | 3,0 TDI Quattro | 01.2006 | 8E0 611 775 N , 8E0 611 775 H | 24.5243-0260.3 |
|                |        | AUDI | A4 (B6/B7) (01-)     |                 | 11.2004 | 8E0 611 775 N , 8E0 611 775 H | 24.5243-0260.3 |
|                |        | AUDI | A4 (B6/B7) (01-)     | 2,0 TFSI        | 11.2004 | 8E0 611 775 N , 8E0 611 775 H | 24.5243-0260.3 |
|                |        | AUDI | A4 (B6/B7) (01-)     | 3,2 FSI Quattro | 01.2005 | 8E0 611 775 N , 8E0 611 775 H | 24.5243-0260.3 |
|                |        | AUDI | A4 (B6/B7) (01-)     | 3,2 FSI         | 01.2005 | 8E0 611 775 N , 8E0 611 775 H | 24.5243-0260.3 |
|                |        | AUDI | A4 CONVERTIBLE (02-) | 2,0 TFSI        | 10.2005 | 8E0 611 775 N , 8E0 611 775 H | 24.5243-0260.3 |
|                |        | AUDI | A4 CONVERTIBLE (02-) | 1,8 T Quattro   | 05.2003 | 8E0 611 775 N , 8E0 611 775 H | 24.5243-0260.3 |
|                |        | AUDI | A4 CONVERTIBLE (02-) | 2               | 05.2004 | 8E0 611 775 N , 8E0 611 775 H | 24.5243-0260.3 |
|                |        | AUDI | A4 CONVERTIBLE (02-) | 2,0 TDI         | 10.2005 | 8E0 611 775 N , 8E0 611 775 H | 24.5243-0260.3 |
|                |        | AUDI | A4 CONVERTIBLE (02-) | 2,0 TFSI        | 01.2006 | 8E0 611 775 N , 8E0 611 775 H | 24.5243-0260.3 |



|  |  |  |  |  |                        |  |                                   |
|--|--|--|--|--|------------------------|--|-----------------------------------|
|  |  |  |  |  | OE numbers per ATE pn. |  | e.g. replaced pn. / miscellaneous |
|--|--|--|--|--|------------------------|--|-----------------------------------|



## BSH - Brake hose rear

|                |        |      |                      |                 |         |                               |                |
|----------------|--------|------|----------------------|-----------------|---------|-------------------------------|----------------|
| 24.5138-0263.3 | 330885 | AUDI | A4 CONVERTIBLE (02-) | 1,8 T           | 04.2002 | 8E0 611 775 N , 8E0 611 775 H | 24.5243-0260.3 |
|                |        | AUDI | A4 CONVERTIBLE (02-) | 2,4             | 04.2002 | 8E0 611 775 N , 8E0 611 775 H | 24.5243-0260.3 |
|                |        | AUDI | A4 CONVERTIBLE (02-) | 2,5 TDI         | 08.2002 | 8E0 611 775 N , 8E0 611 775 H | 24.5243-0260.3 |
|                |        | AUDI | A4 CONVERTIBLE (02-) | 2,7 TDI         | 06.2006 | 8E0 611 775 N , 8E0 611 775 H | 24.5243-0260.3 |
|                |        | AUDI | A4 CONVERTIBLE (02-) | 3,2 FSI         | 10.2005 | 8E0 611 775 N , 8E0 611 775 H | 24.5243-0260.3 |
|                |        | AUDI | A4 CONVERTIBLE (02-) | 3,0 Quattro     | 05.2003 | 8E0 611 775 N , 8E0 611 775 H | 24.5243-0260.3 |
|                |        | AUDI | A4 CONVERTIBLE (02-) | 3,0 TDI Quattro | 01.2006 | 8E0 611 775 N , 8E0 611 775 H | 24.5243-0260.3 |
|                |        | AUDI | A4 CONVERTIBLE (02-) |                 | 10.2005 | 8E0 611 775 N , 8E0 611 775 H | 24.5243-0260.3 |
|                |        | AUDI | A4 CONVERTIBLE (02-) | S4 4,2 Quattro  | 02.2004 | 8E0 611 775 N , 8E0 611 775 H | 24.5243-0260.3 |
|                |        | AUDI | A4 CONVERTIBLE (02-) | 3,2 FSI Quattro | 10.2005 | 8E0 611 775 N , 8E0 611 775 H | 24.5243-0260.3 |
|                |        | AUDI | A4 CONVERTIBLE (02-) | 3               | 04.2002 | 8E0 611 775 N , 8E0 611 775 H | 24.5243-0260.3 |



|  |  |  |  |  |                        |  |                                   |
|--|--|--|--|--|------------------------|--|-----------------------------------|
|  |  |  |  |  | OE numbers per ATE pn. |  | e.g. replaced pn. / miscellaneous |
|--|--|--|--|--|------------------------|--|-----------------------------------|



## FSB - Parking brake shoe

|                |        |        |                           |                     |  |         |         |                                      |  |
|----------------|--------|--------|---------------------------|---------------------|--|---------|---------|--------------------------------------|--|
| 03.0137-3010.2 | 653010 | SUBARU | FORESTER (02-05)          | 2,0 S Turbo         |  | 09.2002 | 08.2005 | 26298AA020 , 26298AC000 , 26698AC000 |  |
|                |        | SUBARU | FORESTER (97-02)          |                     |  | 07.1998 | 04.2001 | 26298AA020 , 26298AC000 , 26698AC000 |  |
|                |        | SUBARU | IMPREZA Kombi (00-05)     | 2,0 WRX Turbo (GG)  |  | 10.2002 | 09.2005 | 26298AA020 , 26298AC000 , 26698AC000 |  |
|                |        | SUBARU | IMPREZA Kombi (05-)       | 2,0 R               |  | 10.2005 |         | 26298AA020 , 26298AC000 , 26698AC000 |  |
|                |        | SUBARU | IMPREZA Estate (93-00)    | 2,0 Turbo 4WD (GF8) |  | 12.1993 | 12.2000 | 26298AA020 , 26298AC000 , 26698AC000 |  |
|                |        | SUBARU | IMPREZA Estate (93-00)    | 2,0 4WD (GF8)       |  | 08.1995 | 12.2000 | 26298AA020 , 26298AC000 , 26698AC000 |  |
|                |        | SUBARU | IMPREZA Estate (93-00)    | 1,8 4WD (GF6)       |  | 01.1993 | 12.2000 | 26298AA020 , 26298AC000 , 26698AC000 |  |
|                |        | SUBARU | IMPREZA Estate (93-00)    | 1,6 (GF3)           |  | 01.1993 | 12.2000 | 26298AA020 , 26298AC000 , 26698AC000 |  |
|                |        | SUBARU | IMPREZA Estate (93-00)    | 1,6 4WD (GF4)       |  | 01.1993 | 12.2000 | 26298AA020 , 26298AC000 , 26698AC000 |  |
|                |        | SUBARU | IMPREZA Estate (93-00)    | 1,8 (GF5)           |  | 01.1993 | 12.2000 | 26298AA020 , 26298AC000 , 26698AC000 |  |
|                |        | SUBARU | IMPREZA Limousine (00-05) | 2,5 RSi (GD)        |  | 03.2001 | 09.2005 | 26298AA020 , 26298AC000 , 26698AC000 |  |
|                |        | SUBARU | IMPREZA Limousine (00-05) | 2,0 WRX Turbo (GD)  |  | 12.2002 | 09.2005 | 26298AA020 , 26298AC000 , 26698AC000 |  |





|  |  |  |  |  |                        |  |                                   |
|--|--|--|--|--|------------------------|--|-----------------------------------|
|  |  |  |  |  | OE numbers per ATE pn. |  | e.g. replaced pn. / miscellaneous |
|--|--|--|--|--|------------------------|--|-----------------------------------|



## FSB - Parking brake shoe

|                |        |        |                           |                     |  |         |         |                                      |  |
|----------------|--------|--------|---------------------------|---------------------|--|---------|---------|--------------------------------------|--|
| 03.0137-3010.2 | 653010 | SUBARU | IMPREZA Limousine (00-05) | 2,0 WRX STI (GD)    |  | 11.2001 | 09.2005 | 26298AA020 , 26298AC000 , 26698AC000 |  |
|                |        | SUBARU | IMPREZA Limousine (00-05) | 2,0 GX (GD)         |  | 12.2000 | 09.2005 | 26298AA020 , 26298AC000 , 26698AC000 |  |
|                |        | SUBARU | IMPREZA Limousine (00-05) | 2,0 WRX Turbo (GD)  |  | 12.2000 | 09.2005 | 26298AA020 , 26298AC000 , 26698AC000 |  |
|                |        | SUBARU | IMPREZA Limousine (05-)   | 2,0 R               |  | 10.2005 |         | 26298AA020 , 26298AC000 , 26698AC000 |  |
|                |        | SUBARU | IMPREZA Saloon (93-00)    | 2,0 4WD (GC8)       |  | 09.1994 | 12.2000 | 26298AA020 , 26298AC000 , 26698AC000 |  |
|                |        | SUBARU | IMPREZA Saloon (93-00)    | 2,0 Turbo 4WD (GC8) |  | 12.1993 | 12.2000 | 26298AA020 , 26298AC000 , 26698AC000 |  |
|                |        | SUBARU | IMPREZA Saloon (93-00)    | 2,0 (GC7)           |  | 08.1996 | 12.2000 | 26298AA020 , 26298AC000 , 26698AC000 |  |
|                |        | SUBARU | IMPREZA Saloon (93-00)    | 1,8 (GC5)           |  | 01.1993 | 12.2000 | 26298AA020 , 26298AC000 , 26698AC000 |  |
|                |        | SUBARU | IMPREZA Saloon (93-00)    | 1,6 4WD (GC4)       |  | 01.1993 | 12.2000 | 26298AA020 , 26298AC000 , 26698AC000 |  |
|                |        | SUBARU | IMPREZA Saloon (93-00)    | 1,6 (GC3)           |  | 01.1993 | 12.2000 | 26298AA020 , 26298AC000 , 26698AC000 |  |
|                |        | SUBARU | IMPREZA Saloon (93-00)    | 1,8 4WD (GC6)       |  | 01.1993 | 12.2000 | 26298AA020 , 26298AC000 , 26698AC000 |  |
|                |        | SUBARU | LEGACY (03-)              | 2,5 i 16V           |  | 09.2003 |         | 26298AA020 , 26298AC000 , 26698AC000 |  |



|  |  |  |  |  |                        |                                       |
|--|--|--|--|--|------------------------|---------------------------------------|
|  |  |  |  |  | OE numbers per ATE pn. | <br>e.g. replaced pn. / miscellaneous |
|--|--|--|--|--|------------------------|---------------------------------------|



## FSB - Parking brake shoe

|                |        |        |                       |                     |  |         |         |                                      |  |
|----------------|--------|--------|-----------------------|---------------------|--|---------|---------|--------------------------------------|--|
| 03.0137-3010.2 | 653010 | SUBARU | LEGACY (03-)          | 3,0 V6              |  | 09.2003 |         | 26298AA020 , 26298AC000 , 26698AC000 |  |
|                |        | SUBARU | LEGACY (03-)          | 2,0 i 16V           |  | 09.2003 | 10.2005 | 26298AA020 , 26298AC000 , 26698AC000 |  |
|                |        | SUBARU | LEGACY (99-03)        | 2,0 i 16V (BE/BH5A) |  | 08.2000 | 08.2003 | 26298AA020 , 26298AC000 , 26698AC000 |  |
|                |        | SUBARU | LEGACY (99-03)        | 2,5 i 16V (BE/BH9A) |  | 08.2000 | 08.2003 | 26298AA020 , 26298AC000 , 26698AC000 |  |
|                |        | SUBARU | LEGACY Estate (94-98) | 2,5 4WD (BG9)       |  | 06.1996 | 11.1998 | 26298AA020 , 26298AC000 , 26698AC000 |  |
|                |        | SUBARU | LEGACY Estate (94-98) | 2,2 4WD (BG7)       |  | 01.1994 | 11.1998 | 26298AA020 , 26298AC000 , 26698AC000 |  |
|                |        | SUBARU | LEGACY Estate (94-98) | 2,2 (BG6)           |  | 01.1994 | 11.1998 | 26298AA020 , 26298AC000 , 26698AC000 |  |
|                |        | SUBARU | LEGACY Estate (94-98) | 2,0 4WD (BG5)       |  | 01.1994 | 11.1998 | 26298AA020 , 26298AC000 , 26698AC000 |  |
|                |        | SUBARU | LEGACY Estate (94-98) | 2,0 (BG4)           |  | 01.1994 | 11.1998 | 26298AA020 , 26298AC000 , 26698AC000 |  |
|                |        | SUBARU | LEGACY Saloon (94-99) | 2,0 (BD4)           |  | 01.1994 | 03.1999 | 26298AA020 , 26298AC000 , 26698AC000 |  |
|                |        | SUBARU | LEGACY Saloon (94-99) | 2,0 4WD (BD5)       |  | 01.1994 | 03.1999 | 26298AA020 , 26298AC000 , 26698AC000 |  |
|                |        | SUBARU | LEGACY Saloon (94-99) | 2,2 (BD6)           |  | 01.1994 | 03.1999 | 26298AA020 , 26298AC000 , 26698AC000 |  |



|  |  |  |  |  |                        |  |                                   |
|--|--|--|--|--|------------------------|--|-----------------------------------|
|  |  |  |  |  | OE numbers per ATE pn. |  | e.g. replaced pn. / miscellaneous |
|--|--|--|--|--|------------------------|--|-----------------------------------|



## FSB - Parking brake shoe

|                |               |        |                       |               |  |         |         |                                      |  |
|----------------|---------------|--------|-----------------------|---------------|--|---------|---------|--------------------------------------|--|
| 03.0137-3010.2 | <b>653010</b> | SUBARU | LEGACY Saloon (94-99) | 2,2 4WD (BD7) |  | 01.1994 | 03.1999 | 26298AA020 , 26298AC000 , 26698AC000 |  |
|                |               | SUBARU | LEGACY Saloon (94-99) | 2,5 4WD (BD9) |  | 06.1996 | 03.1999 | 26298AA020 , 26298AC000 , 26698AC000 |  |
|                |               | SUBARU | LEGACY Saloon (94-99) | 1,8 (BD2)     |  | 01.1996 | 03.1999 | 26298AA020 , 26298AC000 , 26698AC000 |  |



## HBS - Handbrake cable

|                |               |               |                              |             |  |         |         |                 |  |
|----------------|---------------|---------------|------------------------------|-------------|--|---------|---------|-----------------|--|
| 24.3727-0231.2 | <b>580231</b> | BMW           | X5 (00-06)                   | 4,4 i       |  | 10.2003 | 03.2007 | 34 41 1 165 699 |  |
|                |               | BMW           | X5 (00-06)                   |             |  | 04.2000 | 09.2003 | 34 41 1 165 699 |  |
|                |               | BMW           | X5 (00-06)                   | 3,0 d       |  | 10.2003 | 03.2007 | 34 41 1 165 699 |  |
|                |               | BMW           | X5 (00-06)                   | 3,0 i       |  | 04.2000 | 03.2007 | 34 41 1 165 699 |  |
|                |               | BMW           | X5 (00-06)                   | 3,0 d       |  | 05.2001 | 09.2003 | 34 41 1 165 699 |  |
|                |               | BMW           | X5 (00-06)                   | 4,6 iS      |  | 12.2001 | 09.2003 | 34 41 1 165 699 |  |
|                |               | BMW           | X5 (00-06)                   | 4,8 iS      |  | 03.2004 | 03.2007 | 34 41 1 165 699 |  |
| 24.3727-0447.2 | <b>580447</b> | MERCEDES BENZ | CLS-Class (C219) Coupe (04-) | CLS 320 CDI |  | 05.2005 |         | 211 420 01 85   |  |
|                |               | MERCEDES BENZ | CLS-Class (C219) Coupe (04-) | CLS 63 AMG  |  | 04.2006 |         | 211 420 01 85   |  |
|                |               | MERCEDES BENZ | CLS-Class (C219) Coupe (04-) | CLS 55 AMG  |  | 01.2005 |         | 211 420 01 85   |  |
|                |               | MERCEDES BENZ | CLS-Class (C219) Coupe (04-) | CLS 500     |  | 08.2004 |         | 211 420 01 85   |  |



|  |  |  |  |  |                        |                                       |
|--|--|--|--|--|------------------------|---------------------------------------|
|  |  |  |  |  | OE numbers per ATE pn. | <br>e.g. replaced pn. / miscellaneous |
|--|--|--|--|--|------------------------|---------------------------------------|



## HBS - Handbrake cable

|                |        |               |                              |                     |         |               |
|----------------|--------|---------------|------------------------------|---------------------|---------|---------------|
| 24.3727-0447.2 | 580447 | MERCEDES BENZ | CLS-Class (C219) Coupe (04-) | CLS 500             | 04.2006 | 211 420 01 85 |
|                |        | MERCEDES BENZ | CLS-Class (C219) Coupe (04-) | CLS 350             | 08.2004 | 211 420 01 85 |
|                |        | MERCEDES BENZ | CLS-Class (C219) Coupe (04-) | CLS 280             | 10.2007 | 211 420 01 85 |
|                |        | MERCEDES BENZ | CLS-Class (C219) Coupe (04-) | CLS 350 CGI         | 04.2006 | 211 420 01 85 |
|                |        | MERCEDES BENZ | E-Class (S211) Estate (03-)  | E 63 AMG            | 03.2006 | 211 420 01 85 |
|                |        | MERCEDES BENZ | E-Class (S211) Estate (03-)  | E 280 CDI 4-Matic   | 05.2005 | 211 420 01 85 |
|                |        | MERCEDES BENZ | E-Class (S211) Estate (03-)  | E 280 CDI           | 05.2004 | 211 420 01 85 |
|                |        | MERCEDES BENZ | E-Class (S211) Estate (03-)  | E 240 4-Matic       | 07.2003 | 211 420 01 85 |
|                |        | MERCEDES BENZ | E-Class (S211) Estate (03-)  | E 280 4-Matic       | 05.2005 | 211 420 01 85 |
|                |        | MERCEDES BENZ | E-Class (S211) Estate (03-)  | E 55 Kompressor AMG | 07.2003 | 211 420 01 85 |
|                |        | MERCEDES BENZ | E-Class (S211) Estate (03-)  | E 320 4-Matic       | 07.2003 | 211 420 01 85 |
|                |        | MERCEDES BENZ | E-Class (S211) Estate (03-)  | E 320 CDI 4-Matic   | 05.2005 | 211 420 01 85 |
|                |        | MERCEDES BENZ | E-Class (S211) Estate (03-)  | E 350               | 12.2004 | 211 420 01 85 |
|                |        | MERCEDES BENZ | E-Class (S211) Estate (03-)  | E 350 4-Matic       | 12.2004 | 211 420 01 85 |
|                |        | MERCEDES BENZ | E-Class (S211) Estate (03-)  | E 500               | 10.2003 | 211 420 01 85 |
|                |        | MERCEDES BENZ | E-Class (S211) Estate (03-)  | E 500 4-Matic       | 10.2003 | 211 420 01 85 |
|                |        | MERCEDES BENZ | E-Class (S211) Estate (03-)  | E 280               | 05.2005 | 211 420 01 85 |
|                |        | MERCEDES BENZ | E-Class (W211) Saloon (02-)  | E 240 4-Matic       | 03.2003 | 211 420 01 85 |

# New partnumbers on stock - according to ATE pn.

04/2008



|  |  |  |  |  |                        |  |                                   |
|--|--|--|--|--|------------------------|--|-----------------------------------|
|  |  |  |  |  | OE numbers per ATE pn. |  | e.g. replaced pn. / miscellaneous |
|--|--|--|--|--|------------------------|--|-----------------------------------|



## HBS - Handbrake cable

|                |               |               |                              |                     |    |         |               |  |
|----------------|---------------|---------------|------------------------------|---------------------|----|---------|---------------|--|
| 24.3727-0447.2 | <b>580447</b> | MERCEDES BENZ | E-Class (W211) Saloon (02-)  | E 320 4-Matic       |    | 03.2003 | 211 420 01 85 |  |
|                |               | MERCEDES BENZ | E-Class (W211) Saloon (02-)  | E 55 Kompressor AMG |    | 10.2002 | 211 420 01 85 |  |
|                |               | MERCEDES BENZ | E-Class (W211) Saloon (02-)  | E 500 4-Matic       |    | 10.2003 | 211 420 01 85 |  |
|                |               | MERCEDES BENZ | E-Class (W211) Saloon (02-)  | E 350 4-Matic       |    | 12.2004 | 211 420 01 85 |  |
|                |               | MERCEDES BENZ | E-Class (W211) Saloon (02-)  | E 350               |    | 12.2004 | 211 420 01 85 |  |
|                |               | MERCEDES BENZ | E-Class (W211) Saloon (02-)  | E 320 CDI 4-Matic   |    | 05.2005 | 211 420 01 85 |  |
|                |               | MERCEDES BENZ | E-Class (W211) Saloon (02-)  | E 280 CDI 4-Matic   |    | 05.2005 | 211 420 01 85 |  |
|                |               | MERCEDES BENZ | E-Class (W211) Saloon (02-)  | E 280 CDI           |    | 05.2004 | 211 420 01 85 |  |
|                |               | MERCEDES BENZ | E-Class (W211) Saloon (02-)  | E 280               |    | 05.2005 | 211 420 01 85 |  |
|                |               | MERCEDES BENZ | E-Class (W211) Saloon (02-)  | E 63 AMG            |    | 03.2006 | 211 420 01 85 |  |
|                |               | MERCEDES BENZ | E-Class (W211) Saloon (02-)  | E 230               |    | 04.2006 | 211 420 01 85 |  |
|                |               | MERCEDES BENZ | E-Class (W211) Saloon (02-)  | E 280 4-Matic       |    | 05.2005 | 211 420 01 85 |  |
| 24.3727-0448.2 | <b>580448</b> | MERCEDES BENZ | CLS-Class (C219) Coupe (04-) | CLS 500             | RR | 04.2006 | 211 420 03 85 |  |
|                |               | MERCEDES BENZ | CLS-Class (C219) Coupe (04-) | CLS 55 AMG          | RR | 01.2005 | 211 420 03 85 |  |
|                |               | MERCEDES BENZ | CLS-Class (C219) Coupe (04-) | CLS 500             | RR | 08.2004 | 211 420 03 85 |  |
|                |               | MERCEDES BENZ | CLS-Class (C219) Coupe (04-) | CLS 63 AMG          | RR | 04.2006 | 211 420 03 85 |  |
|                |               | MERCEDES BENZ | CLS-Class (C219) Coupe (04-) | CLS 350             | RR | 08.2004 | 211 420 03 85 |  |
|                |               | MERCEDES BENZ | CLS-Class (C219) Coupe (04-) | CLS 280             | RR | 10.2007 | 211 420 03 85 |  |



|   |   |   |   |   |                        |   |
|---|---|---|---|---|------------------------|---|
|  |  |  |  |  | OE numbers per ATE pn. |  e.g. replaced pn. / miscellaneous |
|---|---|---|---|---|------------------------|---|



## HBS - Handbrake cable

|                |        |               |                              |                     |    |         |               |  |
|----------------|--------|---------------|------------------------------|---------------------|----|---------|---------------|--|
| 24.3727-0448.2 | 580448 | MERCEDES BENZ | CLS-Class (C219) Coupe (04-) | CLS 350 CGI         | RR | 04.2006 | 211 420 03 85 |  |
|                |        | MERCEDES BENZ | CLS-Class (C219) Coupe (04-) | CLS 320 CDI         | RR | 05.2005 | 211 420 03 85 |  |
|                |        | MERCEDES BENZ | E-Class (S211) Estate (03-)  | E 280               | RR | 05.2005 | 211 420 03 85 |  |
|                |        | MERCEDES BENZ | E-Class (S211) Estate (03-)  | E 55 Kompressor AMG | RR | 07.2003 | 211 420 03 85 |  |
|                |        | MERCEDES BENZ | E-Class (S211) Estate (03-)  | E 500 4-Matic       | RR | 10.2003 | 211 420 03 85 |  |
|                |        | MERCEDES BENZ | E-Class (S211) Estate (03-)  | E 500               | RR | 10.2003 | 211 420 03 85 |  |
|                |        | MERCEDES BENZ | E-Class (S211) Estate (03-)  | E 350 4-Matic       | RR | 12.2004 | 211 420 03 85 |  |
|                |        | MERCEDES BENZ | E-Class (S211) Estate (03-)  | E 350               | RR | 12.2004 | 211 420 03 85 |  |
|                |        | MERCEDES BENZ | E-Class (S211) Estate (03-)  | E 320 CDI 4-Matic   | RR | 05.2005 | 211 420 03 85 |  |
|                |        | MERCEDES BENZ | E-Class (S211) Estate (03-)  | E 320 CDI           | RR | 03.2003 | 211 420 03 85 |  |
|                |        | MERCEDES BENZ | E-Class (S211) Estate (03-)  | E 320 4-Matic       | RR | 07.2003 | 211 420 03 85 |  |
|                |        | MERCEDES BENZ | E-Class (S211) Estate (03-)  | E 280 CDI           | RR | 05.2004 | 211 420 03 85 |  |
|                |        | MERCEDES BENZ | E-Class (S211) Estate (03-)  | E 270 CDI           | RR | 03.2003 | 211 420 03 85 |  |
|                |        | MERCEDES BENZ | E-Class (S211) Estate (03-)  | E 240 4-Matic       | RR | 07.2003 | 211 420 03 85 |  |
|                |        | MERCEDES BENZ | E-Class (S211) Estate (03-)  | E 240               | RR | 03.2003 | 211 420 03 85 |  |
|                |        | MERCEDES BENZ | E-Class (S211) Estate (03-)  | E 220 CDI           | RR | 03.2003 | 211 420 03 85 |  |
|                |        | MERCEDES BENZ | E-Class (S211) Estate (03-)  | E 200 Kompressor    | RR | 03.2003 | 211 420 03 85 |  |
|                |        | MERCEDES BENZ | E-Class (S211) Estate (03-)  | E 63 AMG            | RR | 03.2006 | 211 420 03 85 |  |



|  |  |  |  |  |                        |                                       |
|--|--|--|--|--|------------------------|---------------------------------------|
|  |  |  |  |  | OE numbers per ATE pn. | <br>e.g. replaced pn. / miscellaneous |
|--|--|--|--|--|------------------------|---------------------------------------|



## HBS - Handbrake cable

|                |        |               |                             |                     |    |         |  |               |  |
|----------------|--------|---------------|-----------------------------|---------------------|----|---------|--|---------------|--|
| 24.3727-0448.2 | 580448 | MERCEDES BENZ | E-Class (S211) Estate (03-) | E 280 CDI 4-Matic   | RR | 05.2005 |  | 211 420 03 85 |  |
|                |        | MERCEDES BENZ | E-Class (S211) Estate (03-) | E 320               | RR | 03.2003 |  | 211 420 03 85 |  |
|                |        | MERCEDES BENZ | E-Class (S211) Estate (03-) | E 280 4-Matic       | RR | 05.2005 |  | 211 420 03 85 |  |
|                |        | MERCEDES BENZ | E-Class (W211) Saloon (02-) | E 500 4-Matic       | RR | 10.2003 |  | 211 420 03 85 |  |
|                |        | MERCEDES BENZ | E-Class (W211) Saloon (02-) | E 400 CDI           | RR | 03.2003 |  | 211 420 03 85 |  |
|                |        | MERCEDES BENZ | E-Class (W211) Saloon (02-) | E 280 CDI           | RR | 05.2004 |  | 211 420 03 85 |  |
|                |        | MERCEDES BENZ | E-Class (W211) Saloon (02-) | E 350 4-Matic       | RR | 12.2004 |  | 211 420 03 85 |  |
|                |        | MERCEDES BENZ | E-Class (W211) Saloon (02-) | E 350               | RR | 12.2004 |  | 211 420 03 85 |  |
|                |        | MERCEDES BENZ | E-Class (W211) Saloon (02-) | E 320 CDI 4-Matic   | RR | 05.2005 |  | 211 420 03 85 |  |
|                |        | MERCEDES BENZ | E-Class (W211) Saloon (02-) | E 320 CDI           | RR | 11.2002 |  | 211 420 03 85 |  |
|                |        | MERCEDES BENZ | E-Class (W211) Saloon (02-) | E 320 4-Matic       | RR | 03.2003 |  | 211 420 03 85 |  |
|                |        | MERCEDES BENZ | E-Class (W211) Saloon (02-) | E 320               | RR | 03.2002 |  | 211 420 03 85 |  |
|                |        | MERCEDES BENZ | E-Class (W211) Saloon (02-) | E 55 Kompressor AMG | RR | 10.2002 |  | 211 420 03 85 |  |
|                |        | MERCEDES BENZ | E-Class (W211) Saloon (02-) | E 300 Bluetec       | RR | 09.2007 |  | 211 420 03 85 |  |
|                |        | MERCEDES BENZ | E-Class (W211) Saloon (02-) | E 500               | RR | 03.2002 |  | 211 420 03 85 |  |
|                |        | MERCEDES BENZ | E-Class (W211) Saloon (02-) | E 280 CDI 4-Matic   | RR | 05.2005 |  | 211 420 03 85 |  |
|                |        | MERCEDES BENZ | E-Class (W211) Saloon (02-) | E 200 CDI           | RR | 05.2002 |  | 211 420 03 85 |  |
|                |        | MERCEDES BENZ | E-Class (W211) Saloon (02-) | E 200 Kompressor    | RR | 05.2002 |  | 211 420 03 85 |  |



|  |  |  |  |  |                        |  |                                   |
|--|--|--|--|--|------------------------|--|-----------------------------------|
|  |  |  |  |  | OE numbers per ATE pn. |  | e.g. replaced pn. / miscellaneous |
|--|--|--|--|--|------------------------|--|-----------------------------------|



## HBS - Handbrake cable

|                |               |               |                             |               |    |         |  |               |  |
|----------------|---------------|---------------|-----------------------------|---------------|----|---------|--|---------------|--|
| 24.3727-0448.2 | <b>580448</b> | MERCEDES BENZ | E-Class (W211) Saloon (02-) | E 220 CDI     | RR | 03.2002 |  | 211 420 03 85 |  |
|                |               | MERCEDES BENZ | E-Class (W211) Saloon (02-) | E 230         | RR | 04.2006 |  | 211 420 03 85 |  |
|                |               | MERCEDES BENZ | E-Class (W211) Saloon (02-) | E 240         | RR | 03.2002 |  | 211 420 03 85 |  |
|                |               | MERCEDES BENZ | E-Class (W211) Saloon (02-) | E 240 4-Matic | RR | 03.2003 |  | 211 420 03 85 |  |
|                |               | MERCEDES BENZ | E-Class (W211) Saloon (02-) | E 270 CDI     | RR | 03.2002 |  | 211 420 03 85 |  |
|                |               | MERCEDES BENZ | E-Class (W211) Saloon (02-) | E 280         | RR | 05.2005 |  | 211 420 03 85 |  |
|                |               | MERCEDES BENZ | E-Class (W211) Saloon (02-) | E 280 4-Matic | RR | 05.2005 |  | 211 420 03 85 |  |
|                |               | MERCEDES BENZ | E-Class (W211) Saloon (02-) | E 63 AMG      | RR | 03.2006 |  | 211 420 03 85 |  |
|                |               | MERCEDES BENZ | E-Class (W211) Saloon (02-) | E 350 CGI     | RR | 09.2007 |  | 211 420 03 85 |  |
| 24.3727-0556.2 | <b>580556</b> | FIAT          | PANDA (03-)                 | 1,3 JTD       | RL | 09.2003 |  | 51708686      |  |
|                |               | FIAT          | PANDA (03-)                 | 1,2 i         | RL | 09.2003 |  | 51708686      |  |
|                |               | FIAT          | PANDA (03-)                 | 1,1 i         | RL | 09.2003 |  | 51708686      |  |
| 24.3727-0557.2 | <b>580557</b> | FIAT          | PANDA (03-)                 | 1,3 JTD       | RR | 09.2003 |  | 51708685      |  |
|                |               | FIAT          | PANDA (03-)                 | 1,2 i         | RR | 09.2003 |  | 51708685      |  |
|                |               | FIAT          | PANDA (03-)                 | 1,1 i         | RR | 09.2003 |  | 51708685      |  |
| 24.3727-0658.2 | <b>580658</b> | FORD          | FIESTA V (02-)              | 1,6 i 16V     |    | 04.2002 |  | 1205735       |  |
|                |               | FORD          | FIESTA V (02-)              | 1,6 TDCi      |    | 10.2004 |  | 1205735       |  |
|                |               | FORD          | FIESTA V (02-)              | 1,4 TDCi      |    | 04.2002 |  | 1205735       |  |





|  |  |  |  |  |                        |                                       |
|--|--|--|--|--|------------------------|---------------------------------------|
|  |  |  |  |  | OE numbers per ATE pn. | <br>e.g. replaced pn. / miscellaneous |
|--|--|--|--|--|------------------------|---------------------------------------|



## HBS - Handbrake cable

|                |               |      |   |            |         |   |  |
|----------------|---------------|------|---|------------|---------|---|--|
| 24.3727-0658.2 | <b>580658</b> | FORD | FIESTA V (02-)                              | 1,4 i 16V  | 04.2002 | 1205735                                   |  |
|                |               | FORD | FIESTA V (02-)                              | 1,3 i      | 04.2002 | 1205735                                   |  |
|                |               | FORD | FIESTA V (02-)                              | 1,25 i 16V | 05.2002 | 1205735                                   |  |
|                |               | FORD | FIESTA V (02-)                              |            | 03.2003 | 1205735                                   |  |
|                |               | FORD | FUSION (02-)                                | 1,6 i 16V  | 07.2002 | 1205735                                   |  |
|                |               | FORD | FUSION (02-)                                | 1,4 i 16V  | 07.2002 | 1205735                                   |  |
|                |               | FORD | FUSION (02-)                                | 1,6 TDCi   | 10.2004 | 1205735                                   |  |
|                |               | FORD | FUSION (02-)                                | 1,4 TDCi   | 07.2002 | 1205735                                   |  |
|                |               | FORD | FUSION (02-)                                | 1,25 i 16V | 08.2004 | 1205735                                   |  |
| 24.3727-0770.2 | <b>580770</b> | OPEL | ASTRA H / GTC / Vauxhall Astra MKV (04-)    | 1,6        | 01.2004 | 5 22 455 , 13157061                       |  |
|                |               | OPEL | ASTRA H / GTC / Vauxhall Astra MKV (04-)    | 1,7 CDTI   | 01.2004 | 5 22 455 , 13157061                       |  |
|                |               | OPEL | ASTRA H / GTC / Vauxhall Astra MKV (04-)    | 1,4        | 01.2004 | 5 22 455 , 13157061                       |  |
|                |               | OPEL | ASTRA H Caravan/Vau. Astra MKV Estate (04-) |            | 08.2004 | 5 22 455 , 13157061                       |  |
|                |               | OPEL | ASTRA H Caravan/Vau. Astra MKV Estate (04-) | 1,6        | 08.2004 | 5 22 455 , 13157061                       |  |
|                |               | OPEL | ASTRA H Caravan/Vau. Astra MKV Estate (04-) | 1,7 CDTI   | 08.2004 | 5 22 455 , 13157061                       |  |
| 24.3727-0775.2 | <b>580775</b> | OPEL | ASTRA H / GTC / Vauxhall Astra MKV (04-)    | 1,8        | 01.2004 | 5 22 033 , 13237271 , 5 22 456 , 13157062 |  |
|                |               | OPEL | ASTRA H / GTC / Vauxhall Astra MKV (04-)    | 1,6        | 01.2004 | 5 22 033 , 13237271 , 5 22 456 , 13157062 |  |



|  |  |  |  |  |                        |                                       |
|--|--|--|--|--|------------------------|---------------------------------------|
|  |  |  |  |  | OE numbers per ATE pn. | <br>e.g. replaced pn. / miscellaneous |
|--|--|--|--|--|------------------------|---------------------------------------|



## HBS - Handbrake cable

|                |        |      |  |               |  |         |   |  |
|----------------|--------|------|--|---------------|--|---------|---|--|
| 24.3727-0775.2 | 580775 | OPEL | ASTRA H / GTC / Vauxhall Astra MKV (04-) | 2,0 Turbo OPC |  | 03.2005 | 5 22 033 , 13237271 , 5 22 456 , 13157062 |  |
|                |        | OPEL | ASTRA H / GTC / Vauxhall Astra MKV (04-) | 2,0 Turbo     |  | 09.2004 | 5 22 033 , 13237271 , 5 22 456 , 13157062 |  |
|                |        | OPEL | ASTRA H / GTC / Vauxhall Astra MKV (04-) |               |  | 01.2004 | 5 22 033 , 13237271 , 5 22 456 , 13157062 |  |
|                |        | OPEL | ASTRA H / GTC / Vauxhall Astra MKV (04-) | 1,9 CDTI      |  | 09.2005 | 5 22 033 , 13237271 , 5 22 456 , 13157062 |  |
|                |        | OPEL | ASTRA H / GTC / Vauxhall Astra MKV (04-) | 1,8           |  | 01.2006 | 5 22 033 , 13237271 , 5 22 456 , 13157062 |  |
|                |        | OPEL | ASTRA H / GTC / Vauxhall Astra MKV (04-) | 1,7 CDTI      |  | 04.2007 | 5 22 033 , 13237271 , 5 22 456 , 13157062 |  |
|                |        | OPEL | ASTRA H / GTC / Vauxhall Astra MKV (04-) |               |  | 01.2004 | 5 22 033 , 13237271 , 5 22 456 , 13157062 |  |
|                |        | OPEL | ASTRA H / GTC / Vauxhall Astra MKV (04-) | 1,6 Turbo     |  | 01.2007 | 5 22 033 , 13237271 , 5 22 456 , 13157062 |  |
|                |        | OPEL | ASTRA H / GTC / Vauxhall Astra MKV (04-) | 1,6           |  | 01.2007 | 5 22 033 , 13237271 , 5 22 456 , 13157062 |  |
|                |        | OPEL | ASTRA H / GTC / Vauxhall Astra MKV (04-) | 1,3 CDTI      |  | 08.2005 | 5 22 033 , 13237271 , 5 22 456 , 13157062 |  |
|                |        | OPEL | ASTRA H / GTC / Vauxhall Astra MKV (04-) | 1,4           |  | 01.2004 | 5 22 033 , 13237271 , 5 22 456 , 13157062 |  |
|                |        | OPEL | ASTRA H / GTC / Vauxhall Astra MKV (04-) | 1,9 CDTI      |  | 09.2004 | 5 22 033 , 13237271 , 5 22 456 , 13157062 |  |



|  |  |          |  |  |                           |  |
|--|--|----------|--|--|---------------------------|--|
|  |  | <b>i</b> |  |  | OE numbers per<br>ATE pn. | <b>i</b><br>e.g. replaced pn. /<br>miscellaneous |
|--|--|----------|--|--|---------------------------|--|



## HBS - Handbrake cable

|                |               |      |                                |               |    |         |         |   |  |
|----------------|---------------|------|--------------------------------|---------------|----|---------|---------|---|--|
| 24.3727-0775.2 | <b>580775</b> | OPEL | ASTRA TWIN TOP (06-)           | 1,8           |    |         |         | 5 22 033 , 13237271 , 5 22 456 , 13157062 |  |
|                |               | OPEL | ASTRA TWIN TOP (06-)           | 1,6 Turbo     |    |         |         | 5 22 033 , 13237271 , 5 22 456 , 13157062 |  |
|                |               | OPEL | ASTRA TWIN TOP (06-)           | 1,6 Twinport  |    |         |         | 5 22 033 , 13237271 , 5 22 456 , 13157062 |  |
|                |               | OPEL | ASTRA TWIN TOP (06-)           | 2,0 Turbo     |    |         |         | 5 22 033 , 13237271 , 5 22 456 , 13157062 |  |
|                |               | OPEL | ASTRA TWIN TOP (06-)           | 1,6           |    |         |         | 5 22 033 , 13237271 , 5 22 456 , 13157062 |  |
|                |               | OPEL | ASTRA TWIN TOP (06-)           | 1,9 CDTI      |    |         |         | 5 22 033 , 13237271 , 5 22 456 , 13157062 |  |
| 24.3727-0777.2 | <b>580777</b> | OPEL | AGILA (00-07)                  | 1             | RL | 08.2003 | 07.2007 | 47 06 689 , 9211156                       |  |
|                |               | OPEL | AGILA (00-07)                  | 1,0 12V       | RL |         | 07.2007 | 47 06 689 , 9211156                       |  |
|                |               | OPEL | AGILA (00-07)                  | 1,2 16V       | RL |         | 07.2007 | 47 06 689 , 9211156                       |  |
|                |               | OPEL | AGILA (00-07)                  | 1,3 CDTI      | RL | 08.2003 | 07.2007 | 47 06 689 , 9211156                       |  |
| 24.3727-0778.2 | <b>580778</b> | OPEL | AGILA (00-07)                  | 1             | RR | 08.2003 | 07.2007 | 47 06 688 , 9211155                       |  |
|                |               | OPEL | AGILA (00-07)                  | 1,0 12V       | RR |         | 07.2007 | 47 06 688 , 9211155                       |  |
|                |               | OPEL | AGILA (00-07)                  | 1,2 16V       | RR |         | 07.2007 | 47 06 688 , 9211155                       |  |
|                |               | OPEL | AGILA (00-07)                  | 1,3 CDTI      | RR | 08.2003 | 07.2007 | 47 06 688 , 9211155                       |  |
| 24.3727-0779.2 | <b>580779</b> | OPEL | MERIVA / Vauxhall Meriva (02-) | 1,6 16V       |    |         |         | 5 22 016 , 13159021                       |  |
|                |               | OPEL | MERIVA / Vauxhall Meriva (02-) | 1,6 Turbo OPC |    |         |         | 5 22 016 , 13159021                       |  |



|  |  |          |  |  |                           |  |
|--|--|----------|--|--|---------------------------|--|
|  |  | <b>i</b> |  |  | OE numbers per<br>ATE pn. | <b>i</b><br>e.g. replaced pn. /<br>miscellaneous |
|--|--|----------|--|--|---------------------------|--|



## HBS - Handbrake cable

|                |               |         |                                |               |  |         |                       |  |
|----------------|---------------|---------|--------------------------------|---------------|--|---------|-----------------------|--|
| 24.3727-0779.2 | <b>580779</b> | OPEL    | MERIVA / Vauxhall Meriva (02-) | 1,7 CDTI      |  |         | 5 22 016 , 13159021   |  |
|                |               | OPEL    | MERIVA / Vauxhall Meriva (02-) | 1,7 DTI 16V   |  |         | 5 22 016 , 13159021   |  |
|                |               | OPEL    | MERIVA / Vauxhall Meriva (02-) | 1,8 16V       |  |         | 5 22 016 , 13159021   |  |
|                |               | OPEL    | MERIVA / Vauxhall Meriva (02-) | 1,6           |  |         | 5 22 016 , 13159021   |  |
|                |               | OPEL    | MERIVA / Vauxhall Meriva (02-) | 1,4 16V       |  |         | 5 22 016 , 13159021   |  |
|                |               | OPEL    | MERIVA / Vauxhall Meriva (02-) | 1,3 CDTI      |  |         | 5 22 016 , 13159021   |  |
| 24.3727-0780.2 | <b>580780</b> | OPEL    | MERIVA / Vauxhall Meriva (02-) | 1,4 16V       |  | 07.2004 | 5 22 012 , 93 318 894 |  |
|                |               | OPEL    | MERIVA / Vauxhall Meriva (02-) | 1,3 CDTI      |  | 09.2003 | 5 22 012 , 93 318 894 |  |
|                |               | OPEL    | MERIVA / Vauxhall Meriva (02-) | 1,6           |  | 05.2003 | 5 22 012 , 93 318 894 |  |
|                |               | OPEL    | MERIVA / Vauxhall Meriva (02-) | 1,8 16V       |  | 09.2002 | 5 22 012 , 93 318 894 |  |
|                |               | OPEL    | MERIVA / Vauxhall Meriva (02-) | 1,6 Turbo OPC |  | 09.2005 | 5 22 012 , 93 318 894 |  |
|                |               | OPEL    | MERIVA / Vauxhall Meriva (02-) | 1,7 CDTI      |  | 09.2003 | 5 22 012 , 93 318 894 |  |
|                |               | OPEL    | MERIVA / Vauxhall Meriva (02-) |               |  | 09.2006 | 5 22 012 , 93 318 894 |  |
|                |               | OPEL    | MERIVA / Vauxhall Meriva (02-) | 1,7 DTI 16V   |  | 09.2002 | 5 22 012 , 93 318 894 |  |
|                |               | OPEL    | MERIVA / Vauxhall Meriva (02-) | 1,6           |  | 01.2006 | 5 22 012 , 93 318 894 |  |
|                |               | OPEL    | MERIVA / Vauxhall Meriva (02-) | 1,6 16V       |  | 05.2003 | 5 22 012 , 93 318 894 |  |
| 24.3727-0844.2 | <b>580844</b> | PEUGEOT | 407 Coupe (05-)                | 2,2 16V       |  | 10.2005 | 4745 X4               |  |
|                |               | PEUGEOT | 407 Coupe (05-)                | 2,7 HDi       |  | 10.2005 | 4745 X4               |  |



|  |  |  |  |  |                        |                                       |
|--|--|--|--|--|------------------------|---------------------------------------|
|  |  |  |  |  | OE numbers per ATE pn. | <br>e.g. replaced pn. / miscellaneous |
|--|--|--|--|--|------------------------|---------------------------------------|



## HBS - Handbrake cable

|                |        |         |                  |             |  |         |  |         |  |
|----------------|--------|---------|------------------|-------------|--|---------|--|---------|--|
| 24.3727-0844.2 | 580844 | PEUGEOT | 407 Coupe (05-)  | 3,0 V6      |  | 10.2005 |  | 4745 X4 |  |
|                |        | PEUGEOT | 407 Saloon (04-) | 2,0 16V     |  | 09.2005 |  | 4745 X4 |  |
|                |        | PEUGEOT | 407 Saloon (04-) | 1,6 HDi 110 |  | 05.2004 |  | 4745 X4 |  |
|                |        | PEUGEOT | 407 Saloon (04-) | 1,8 16V     |  | 05.2004 |  | 4745 X4 |  |
|                |        | PEUGEOT | 407 Saloon (04-) | 2,0 16V     |  | 05.2004 |  | 4745 X4 |  |
|                |        | PEUGEOT | 407 Saloon (04-) | 2,0 HDi 135 |  | 05.2004 |  | 4745 X4 |  |
|                |        | PEUGEOT | 407 Saloon (04-) | 2,2 16V     |  | 05.2004 |  | 4745 X4 |  |
|                |        | PEUGEOT | 407 Saloon (04-) |             |  | 09.2005 |  | 4745 X4 |  |
|                |        | PEUGEOT | 407 Saloon (04-) | 2,2 HDi 170 |  | 05.2006 |  | 4745 X4 |  |
|                |        | PEUGEOT | 407 Saloon (04-) | 2,7 HDi     |  | 10.2005 |  | 4745 X4 |  |
|                |        | PEUGEOT | 407 Saloon (04-) | 3,0 V6      |  | 05.2004 |  | 4745 X4 |  |
|                |        | PEUGEOT | 407 Saloon (04-) | 1,8 16V     |  | 09.2005 |  | 4745 X4 |  |
|                |        | PEUGEOT | 407 SW (04-)     | 2,2 HDi 170 |  | 05.2006 |  | 4745 X4 |  |
|                |        | PEUGEOT | 407 SW (04-)     | 1,6 HDi 110 |  | 05.2004 |  | 4745 X4 |  |
|                |        | PEUGEOT | 407 SW (04-)     | 2,7 HDi     |  | 10.2005 |  | 4745 X4 |  |
|                |        | PEUGEOT | 407 SW (04-)     | 2,2 16V     |  | 09.2005 |  | 4745 X4 |  |
|                |        | PEUGEOT | 407 SW (04-)     |             |  | 05.2004 |  | 4745 X4 |  |
|                |        | PEUGEOT | 407 SW (04-)     | 1,8 16V     |  | 09.2005 |  | 4745 X4 |  |



|  |  |  |  |  |                        |                                   |
|--|--|--|--|--|------------------------|-----------------------------------|
|  |  |  |  |  | OE numbers per ATE pn. | e.g. replaced pn. / miscellaneous |
|--|--|--|--|--|------------------------|-----------------------------------|



## HBS - Handbrake cable

|                |               |         |                                      |                 |    |         |         |  |  |
|----------------|---------------|---------|--------------------------------------|-----------------|----|---------|---------|--|--|
| 24.3727-0844.2 | <b>580844</b> | PEUGEOT | 407 SW (04-)                         | 3,0 V6          |    | 05.2004 |         | 4745 X4                                    |  |
|                |               | PEUGEOT | 407 SW (04-)                         | 1,8 16V         |    | 05.2004 |         | 4745 X4                                    |  |
|                |               | PEUGEOT | 407 SW (04-)                         | 2,0 16V         |    | 05.2004 |         | 4745 X4                                    |  |
|                |               | PEUGEOT | 407 SW (04-)                         |                 |    | 09.2005 |         | 4745 X4                                    |  |
|                |               | PEUGEOT | 407 SW (04-)                         | 2,0 HDi 135     |    | 05.2004 |         | 4745 X4                                    |  |
| 24.3727-1816.2 | <b>581816</b> | MAZDA   | 323 Saloon/323 C/323 F/323 S (94-98) | 2,0 D           | RR | 10.1996 | 08.1998 | BC1D-44-410A , BC1D-44-410B                |  |
|                |               | MAZDA   | 323 Saloon/323 C/323 F/323 S (94-98) | 1,5 i 16V (BA1) | RR | 05.1994 | 08.1998 | BC1D-44-410A , BC1D-44-410B                |  |
|                |               | MAZDA   | 323 Saloon/323 C/323 F/323 S (94-98) | 1,3 i 16V (BA1) | RR | 05.1994 | 08.1998 | BC1D-44-410A , BC1D-44-410B                |  |
|                |               | MAZDA   | 323 Saloon/323 C/323 F/323 S (94-98) | 1,8 i (BA1)     | RR | 05.1994 | 08.1998 | BC1D-44-410A , BC1D-44-410B                |  |
|                |               | MAZDA   | 323 Saloon/323 C/323 F/323 S (94-98) | 1,7 D (BA1)     | RR | 05.1994 | 08.1998 | BC1D-44-410A , BC1D-44-410B                |  |
| 24.3727-1817.2 | <b>581817</b> | MAZDA   | 323 Saloon/323 C/323 F/323 S (94-98) | 2,0 D           | RL | 10.1996 | 08.1998 | BC1D-44-420A , BC1D-44-420B , BC1D-44-420C |  |
|                |               | MAZDA   | 323 Saloon/323 C/323 F/323 S (94-98) | 1,8 i (BA1)     | RL | 05.1994 | 08.1998 | BC1D-44-420A , BC1D-44-420B , BC1D-44-420C |  |
|                |               | MAZDA   | 323 Saloon/323 C/323 F/323 S (94-98) | 1,7 D (BA1)     | RL | 05.1994 | 08.1998 | BC1D-44-420A , BC1D-44-420B , BC1D-44-420C |  |
|                |               | MAZDA   | 323 Saloon/323 C/323 F/323 S (94-98) | 1,5 i 16V (BA1) | RL | 05.1994 | 08.1998 | BC1D-44-420A , BC1D-44-420B , BC1D-44-420C |  |



|  |  |  |  |  |                        |  |                                   |
|--|--|--|--|--|------------------------|--|-----------------------------------|
|  |  |  |  |  | OE numbers per ATE pn. |  | e.g. replaced pn. / miscellaneous |
|--|--|--|--|--|------------------------|--|-----------------------------------|



## HBS - Handbrake cable

|                |               |        |                                      |                       |    |         |         |  |  |
|----------------|---------------|--------|--------------------------------------|-----------------------|----|---------|---------|--|--|
| 24.3727-1817.2 | <b>581817</b> | MAZDA  | 323 Saloon/323 C/323 F/323 S (94-98) | 1,3 i 16V (BA1)       | RL | 05.1994 | 08.1998 | BC1D-44-420A , BC1D-44-420B , BC1D-44-420C |  |
| 24.3727-1818.2 | <b>581818</b> | MAZDA  | 323 Saloon/323 C/323 F/323 S (94-98) | 1,8 i (BA1)           | RR | 05.1994 | 08.1998 | BC1B-44-410 , BC1B-44-410A                 |  |
|                |               | MAZDA  | 323 Saloon/323 C/323 F/323 S (94-98) | 1,3 i 16V (BA1)       | RR | 05.1994 | 08.1998 | BC1B-44-410 , BC1B-44-410A                 |  |
|                |               | MAZDA  | 323 Saloon/323 C/323 F/323 S (94-98) | 1,5 i 16V (BA1)       | RR | 05.1994 | 08.1998 | BC1B-44-410 , BC1B-44-410A                 |  |
| 24.3727-1819.2 | <b>581819</b> | MAZDA  | 323 Saloon/323 C/323 F/323 S (94-98) | 1,3 i 16V (BA1)       | RL | 05.1994 | 08.1998 | BC1B-44-420 , BC1B-44-420A                 |  |
|                |               | MAZDA  | 323 Saloon/323 C/323 F/323 S (94-98) | 1,5 i 16V (BA1)       | RL | 05.1994 | 08.1998 | BC1B-44-420 , BC1B-44-420A                 |  |
|                |               | MAZDA  | 323 Saloon/323 C/323 F/323 S (94-98) | 1,8 i (BA1)           | RL | 05.1994 | 08.1998 | BC1B-44-420 , BC1B-44-420A                 |  |
| 24.3727-1918.2 | <b>581918</b> | TOYOTA | COROLLA (97-02)                      | 1,4 i (EE111)         |    | 05.1997 | 07.1998 | 46410-12250                                |  |
|                |               | TOYOTA | COROLLA (97-02)                      |                       |    | 08.1998 | 01.2000 | 46410-12250                                |  |
|                |               | TOYOTA | COROLLA (97-02)                      | 1,4 i 16V (ZZE111)    |    | 02.2000 | 12.2001 | 46410-12250                                |  |
|                |               | TOYOTA | COROLLA (97-02)                      | 1,6 i (AE111)         |    | 08.1998 | 01.2000 | 46410-12250                                |  |
|                |               | TOYOTA | COROLLA (97-02)                      |                       |    | 05.1997 | 07.1998 | 46410-12250                                |  |
|                |               | TOYOTA | COROLLA (97-02)                      | 1,6 i 16V (ZZE112)    |    | 02.2000 | 12.2001 | 46410-12250                                |  |
|                |               | TOYOTA | COROLLA (97-02)                      | 1,8 i 16V AWD (AE115) |    | 05.1997 | 12.2001 | 46410-12250                                |  |
|                |               | TOYOTA | COROLLA (97-02)                      | 1,9 D (WZE110)        |    | 02.2000 | 12.2001 | 46410-12250                                |  |
|                |               | TOYOTA | COROLLA (97-02)                      | 2,0 D (CE110)         |    | 08.1998 | 01.2000 | 46410-12250                                |  |
|                |               | TOYOTA | COROLLA (97-02)                      |                       |    | 05.1997 | 07.1998 | 46410-12250                                |  |
|                |               | TOYOTA | COROLLA (97-02)                      | 2,0 D-4D (CDE110)     |    | 09.2000 | 12.2001 | 46410-12250                                |  |



|  |  |  |  |  |                        |  |                                   |
|--|--|--|--|--|------------------------|--|-----------------------------------|
|  |  |  |  |  | OE numbers per ATE pn. |  | e.g. replaced pn. / miscellaneous |
|--|--|--|--|--|------------------------|--|-----------------------------------|



## HBS - Handbrake cable

|                |               |         |                         |                 |    |         |         |                           |  |
|----------------|---------------|---------|-------------------------|-----------------|----|---------|---------|---------------------------|--|
| 24.3727-3000.2 | <b>583000</b> | LANCIA  | YPSILON (03-)           | 1,4 i 16V       |    | 06.2003 |         | 46813948 , 51776180       |  |
|                |               | LANCIA  | YPSILON (03-)           | 1,3 JTD         |    | 06.2003 |         | 46813948 , 51776180       |  |
|                |               | LANCIA  | YPSILON (03-)           | 1,4 i           |    | 02.2006 |         | 46813948 , 51776180       |  |
|                |               | LANCIA  | YPSILON (03-)           | 1,2 i           |    | 06.2003 |         | 46813948 , 51776180       |  |
|                |               | LANCIA  | YPSILON (03-)           | 1,2 i 16V       |    | 06.2003 |         | 46813948 , 51776180       |  |
| 24.3727-3101.2 | <b>583101</b> | HYUNDAI | ATOS / AMICA (GB) (98-) | 1,1 i 12V       | RL | 03.2004 |         | 59760-02010 , 59760-02020 |  |
|                |               | HYUNDAI | ATOS / AMICA (GB) (98-) | 1,0 i 12V Prime | RL | 09.1999 |         | 59760-02010 , 59760-02020 |  |
|                |               | HYUNDAI | ATOS / AMICA (GB) (98-) | 1,0 i 12V       | RL | 01.1998 | 08.2000 | 59760-02010 , 59760-02020 |  |
|                |               | HYUNDAI | ATOS / AMICA (GB) (98-) |                 | RL | 09.2000 |         | 59760-02010 , 59760-02020 |  |
|                |               | HYUNDAI | ATOS / AMICA (GB) (98-) | 1,1 i 12V Prime | RL | 08.2003 |         | 59760-02010 , 59760-02020 |  |
|                |               | HYUNDAI | ATOS / AMICA (GB) (98-) | 1,0 i 12V Prime | RL | 09.2000 |         | 59760-02010 , 59760-02020 |  |



## HBZ - Master cylinder

|                |               |        |                      |       |  |         |         |             |  |
|----------------|---------------|--------|----------------------|-------|--|---------|---------|-------------|--|
| 24.2123-1761.3 | <b>010780</b> | NISSAN | ALMERA (N15) (95-00) | 1,4 i |  | 01.1998 | 04.2000 | 46010-2N320 |  |
|                |               | NISSAN | ALMERA (N15) (95-00) | 1,6 i |  | 01.1998 | 04.2000 | 46010-2N320 |  |
|                |               | NISSAN | ALMERA (N15) (95-00) | 2,0 D |  | 01.1998 | 04.2000 | 46010-2N320 |  |
|                |               | NISSAN | ALMERA (N15) (95-00) | 2,0 i |  | 01.1998 | 04.2000 | 46010-2N320 |  |





|  |  |  |  |  |                        |  |                                   |
|--|--|--|--|--|------------------------|--|-----------------------------------|
|  |  |  |  |  | OE numbers per ATE pn. |  | e.g. replaced pn. / miscellaneous |
|--|--|--|--|--|------------------------|--|-----------------------------------|



## HBZ - Master cylinder

|                |               |        |                    |        |  |         |         |             |  |
|----------------|---------------|--------|--------------------|--------|--|---------|---------|-------------|--|
| 24.2123-1761.3 | <b>010780</b> | NISSAN | ALMERA (N16) (00-) | 1,8 i  |  | 03.2000 | 03.2001 | 46010-2N320 |  |
|                |               | NISSAN | ALMERA (N16) (00-) | 1,5 i  |  | 03.2000 | 03.2001 | 46010-2N320 |  |
|                |               | NISSAN | ALMERA (N16) (00-) | 2,2 Di |  | 03.2000 | 03.2001 | 46010-2N320 |  |



## KSE - Clutch cable

|                |               |      |               |          |  |         |         |   |  |
|----------------|---------------|------|---------------|----------|--|---------|---------|---|--|
| 24.3728-0725.2 | <b>590725</b> | OPEL | AGILA (00-07) | 1,3 CDTI |  | 08.2003 | 07.2007 | 47 05 607 , 9210082 , 47 07 843 , 9216431 |  |
|                |               | OPEL | AGILA (00-07) | 1,2 16V  |  |         | 07.2007 | 47 05 607 , 9210082 , 47 07 843 , 9216431 |  |



## RSH - ATE Original TOPKIT rear

|                |               |        |                                       |           |  |         |  |             |  |
|----------------|---------------|--------|---------------------------------------|-----------|--|---------|--|-------------|--|
| 03.0520-6719.3 | <b>696719</b> | OPEL   | CORSA D / Vauxhall Corsa MK III (06-) | 1,0 i     |  | 10.2006 |  |             |  |
|                |               | OPEL   | CORSA D / Vauxhall Corsa MK III (06-) | 1,2 i 16V |  | 10.2006 |  |             |  |
| 03.0520-8920.3 | <b>698920</b> | TOYOTA | YARIS (06-)                           | 1,0 VVT-i |  | 01.2006 |  | 04907-0D010 |  |
|                |               | TOYOTA | YARIS (06-)                           | 1,3 VVT-i |  | 01.2006 |  | 04907-0D010 |  |
|                |               | TOYOTA | YARIS (06-)                           | 1,4 D-4D  |  | 01.2006 |  | 04907-0D010 |  |
|                |               | TOYOTA | YARIS (06-)                           | 1,5 VVT-i |  | 01.2006 |  | 04907-0D010 |  |



|  |  |  |  |  |                        |  |                                   |
|--|--|--|--|--|------------------------|--|-----------------------------------|
|  |  |  |  |  | OE numbers per ATE pn. |  | e.g. replaced pn. / miscellaneous |
|--|--|--|--|--|------------------------|--|-----------------------------------|



## RSH - ATE Original TOPKIT rear

|                |               |        |                    |           |  |         |  |  |  |
|----------------|---------------|--------|--------------------|-----------|--|---------|--|--|--|
| 03.0520-9020.3 | <b>699020</b> | FIAT   | GRANDE PUNTO (06-) | 1,3 JTD   |  | 10.2005 |  |  |  |
|                |               | FIAT   | GRANDE PUNTO (06-) | 1,4 i     |  | 10.2005 |  |  |  |
|                |               | FIAT   | GRANDE PUNTO (06-) | 1,4 i 16V |  | 02.2006 |  |  |  |
| 03.0520-9120.3 | <b>699120</b> | FIAT   | IDEA (04-)         | 1,3 JTD   |  | 11.2005 |  |  |  |
|                |               | FIAT   | IDEA (04-)         | 1,9 JTD   |  | 07.2005 |  |  |  |
|                |               | LANCIA | MUSA (04-)         |           |  | 07.2005 |  |  |  |
|                |               | LANCIA | MUSA (04-)         | 1,3 JTD   |  | 09.2006 |  |  |  |



## RZH - Wheel cylinder rear

|                |               |        |                 |               |  |         |         |                           |  |
|----------------|---------------|--------|-----------------|---------------|--|---------|---------|---------------------------|--|
| 24.3215-1701.3 | <b>020493</b> | OPEL   | AGILA (00-07)   | 1             |  | 08.2003 | 07.2007 | 47 05 130 , 9209092       |  |
|                |               | OPEL   | AGILA (00-07)   | 1,0 12V       |  | 09.2000 | 07.2007 | 47 05 130 , 9209092       |  |
|                |               | OPEL   | AGILA (00-07)   | 1,2 16V       |  | 09.2000 | 07.2007 | 47 05 130 , 9209092       |  |
|                |               | OPEL   | AGILA (00-07)   | 1,3 CDTI      |  | 08.2003 | 07.2007 | 47 05 130 , 9209092       |  |
| 24.3215-1702.3 | <b>020494</b> | SUZUKI | IGNIS I (00-03) | 1,3 i 16V     |  | 10.2000 | 08.2003 | 53401-76G00 , 53401-76G01 |  |
|                |               | SUZUKI | IGNIS I (00-03) | 1,3 i 16V 4x4 |  | 10.2000 | 08.2003 | 53401-76G00 , 53401-76G01 |  |
|                |               | SUZUKI | IGNIS II (03-)  | 1,5 i 16V 4x4 |  | 09.2003 |         | 53401-76G00 , 53401-76G01 |  |
|                |               | SUZUKI | IGNIS II (03-)  | 1,3 i 16V     |  | 09.2003 |         | 53401-76G00 , 53401-76G01 |  |
|                |               | SUZUKI | IGNIS II (03-)  | 1,5 i 16V     |  | 09.2003 |         | 53401-76G00 , 53401-76G01 |  |



|  |  |  |  |  |                        |  |                                   |
|--|--|--|--|--|------------------------|--|-----------------------------------|
|  |  |  |  |  | OE numbers per ATE pn. |  | e.g. replaced pn. / miscellaneous |
|--|--|--|--|--|------------------------|--|-----------------------------------|



## RZH - Wheel cylinder rear

|                |               |            |                         |                      |  |         |         |                           |  |
|----------------|---------------|------------|-------------------------|----------------------|--|---------|---------|---------------------------|--|
| 24.3215-1702.3 | <b>020494</b> | SUZUKI     | WAGON R+ (00-)          | 1,3 VVTi 4WD         |  | 09.2003 |         | 53401-76G00 , 53401-76G01 |  |
|                |               | SUZUKI     | WAGON R+ (00-)          | 1,3 i 16V 4WD        |  | 10.2001 | 08.2003 | 53401-76G00 , 53401-76G01 |  |
|                |               | SUZUKI     | WAGON R+ (00-)          |                      |  | 09.2003 |         | 53401-76G00 , 53401-76G01 |  |
|                |               | SUZUKI     | WAGON R+ (00-)          | 1,3 i 16V            |  | 09.2003 |         | 53401-76G00 , 53401-76G01 |  |
|                |               | SUZUKI     | WAGON R+ (00-)          |                      |  | 05.2000 | 08.2003 | 53401-76G00 , 53401-76G01 |  |
| 24.3217-1720.3 | <b>020495</b> | NISSAN     | ALMERA (N16) (00-)      | 1,5 dCi              |  | 01.2003 |         | 44100-7E611               |  |
|                |               | NISSAN     | ALMERA (N16) (00-)      | 1,5 i                |  | 10.2002 |         | 44100-7E611               |  |
|                |               | NISSAN     | ALMERA (N16) (00-)      |                      |  | 02.2000 |         | 44100-7E611               |  |
|                |               | NISSAN     | ALMERA (N16) (00-)      |                      |  | 03.2000 | 03.2001 | 44100-7E611               |  |
| 24.3219-1745.3 | <b>020496</b> | MITSUBISHI | CARISMA (95-06)         | 1,6 i (DA1A)         |  | 10.1998 | 05.1999 | MR307779                  |  |
|                |               | MITSUBISHI | CARISMA (95-06)         | 1,9 TD (DA4A)        |  | 10.1998 | 08.2000 | MR307779                  |  |
|                |               | MITSUBISHI | CARISMA (95-06)         | 1,8 i 16V GDI (DA2A) |  | 10.2000 | 10.2005 | MR307779                  |  |
|                |               | MITSUBISHI | CARISMA (95-06)         |                      |  | 10.1998 | 10.2005 | MR307779                  |  |
|                |               | MITSUBISHI | CARISMA (95-06)         | 1,6 i 16V (DA1A)     |  | 10.1998 | 05.1999 | MR307779                  |  |
|                |               | MITSUBISHI | CARISMA (95-06)         |                      |  | 06.1999 | 08.2000 | MR307779                  |  |
|                |               | MITSUBISHI | SPACE STAR (98-06)      | 1,8 GDI (DG5A)       |  | 10.2002 | 03.2006 | MR307779                  |  |
|                |               | MITSUBISHI | SPACE STAR (98-06)      |                      |  | 06.1998 | 03.2006 | MR307779                  |  |
| 24.3219-1746.3 | <b>020497</b> | LAND ROVER | FREELANDER (LN) (98-07) | 1,8i 16V             |  |         | 03.2007 | SML000010                 |  |



|  |  |  |  |  |                        |  |                                   |
|--|--|--|--|--|------------------------|--|-----------------------------------|
|  |  |  |  |  | OE numbers per ATE pn. |  | e.g. replaced pn. / miscellaneous |
|--|--|--|--|--|------------------------|--|-----------------------------------|



## RZH - Wheel cylinder rear

|                |               |            |                         |                  |    |         |         |                               |  |
|----------------|---------------|------------|-------------------------|------------------|----|---------|---------|-------------------------------|--|
| 24.3219-1746.3 | <b>020497</b> | LAND ROVER | FREELANDER (LN) (98-07) | 2,0 DI           |    |         | 03.2007 | SML000010                     |  |
|                |               | LAND ROVER | FREELANDER (LN) (98-07) | 2,0 TD4          |    |         | 03.2007 | SML000010                     |  |
|                |               | LAND ROVER | FREELANDER (LN) (98-07) | 2,5 V6           |    |         | 03.2007 | SML000010                     |  |
| 24.3219-1747.3 | <b>020498</b> | HYUNDAI    | ACCENT (94-99)          | 1,3 i 12V        | RL | 10.1994 | 12.1999 | 58330-22000                   |  |
|                |               | HYUNDAI    | ACCENT (94-99)          | 1,3 i            | RL | 10.1994 | 12.1999 | 58330-22000                   |  |
|                |               | HYUNDAI    | ACCENT (94-99)          | 1,5 i 12V        | RL | 10.1994 | 12.1999 | 58330-22000                   |  |
|                |               | HYUNDAI    | ACCENT (94-99)          | 1,5 i 16V        | RL | 10.1995 | 12.1999 | 58330-22000                   |  |
| 24.3219-1748.3 | <b>020499</b> | HYUNDAI    | ACCENT (94-99)          | 1,5 i 12V        | RR | 10.1994 | 12.1999 | 58380-22000                   |  |
|                |               | HYUNDAI    | ACCENT (94-99)          | 1,3 i 12V        | RR | 10.1994 | 12.1999 | 58380-22000                   |  |
|                |               | HYUNDAI    | ACCENT (94-99)          | 1,3 i            | RR | 10.1994 | 12.1999 | 58380-22000                   |  |
|                |               | HYUNDAI    | ACCENT (94-99)          | 1,5 i 16V        | RR | 10.1995 | 12.1999 | 58380-22000                   |  |
| 24.3219-1750.3 | <b>020501</b> | TOYOTA     | YARIS VERSO (99-)       | 1,3 i 16V        | RR | 11.1999 |         | 47550-20211                   |  |
|                |               | TOYOTA     | YARIS VERSO (99-)       | 1,4 D-4D         | RR | 12.2001 |         | 47550-20211                   |  |
| 24.3220-1731.3 | <b>020503</b> | HONDA      | ACCORD (98-02)          | 1,6 i 16V (CG7)  |    | 10.1998 | 12.2002 | 43301-S1A-E61 , 43300-S1A-E61 |  |
|                |               | HONDA      | ACCORD (98-02)          | 1,6 i 16V (CH5)  |    | 10.1998 | 12.2002 | 43301-S1A-E61 , 43300-S1A-E61 |  |
| 24.3219-1753.3 | <b>020506</b> | MITSUBISHI | CARISMA (95-06)         | 1,6 i (DA1A)     |    | 07.1995 | 09.1998 | MR129595                      |  |
|                |               | MITSUBISHI | CARISMA (95-06)         | 1,6 i 16V (DA1A) |    | 05.1997 | 09.1998 | MR129595                      |  |



|  |  |  |  |  |                        |  |                                   |
|--|--|--|--|--|------------------------|--|-----------------------------------|
|  |  |  |  |  | OE numbers per ATE pn. |  | e.g. replaced pn. / miscellaneous |
|--|--|--|--|--|------------------------|--|-----------------------------------|



## RZH - Wheel cylinder rear

|                |               |            |                                       |                      |  |         |         |                        |  |
|----------------|---------------|------------|---------------------------------------|----------------------|--|---------|---------|------------------------|--|
| 24.3219-1753.3 | <b>020506</b> | MITSUBISHI | CARISMA (95-06)                       | 1,9 TD (DA4A)        |  | 10.1996 | 09.1998 | MR129595               |  |
|                |               | MITSUBISHI | CARISMA (95-06)                       | 1,8 i 16V GDI (DA2A) |  | 09.1997 | 09.1998 | MR129595               |  |
|                |               | MITSUBISHI | CARISMA (95-06)                       | 1,8 i 16V (DA2A)     |  | 07.1995 | 10.2005 | MR129595               |  |
|                |               | MITSUBISHI | CARISMA (95-06)                       | 1,8 i (DA2A)         |  | 07.1995 | 10.2005 | MR129595               |  |
|                |               | MITSUBISHI | SPACE STAR (98-06)                    | 1,3 i (DG1A)         |  | 12.1998 | 03.2006 | MR129595               |  |
|                |               | MITSUBISHI | SPACE STAR (98-06)                    |                      |  | 08.2000 | 03.2006 | MR129595               |  |
|                |               | MITSUBISHI | SPACE STAR (98-06)                    |                      |  | 06.1998 | 07.2000 | MR129595               |  |
| 24.3219-1754.3 | <b>020507</b> | TOYOTA     | RAV4 II (00-05)                       | 2,0 VVTi 4WD (Nato)  |  | 06.2000 | 07.2003 | 47550-42020            |  |
|                |               | TOYOTA     | RAV4 II (00-05)                       | 2,0 VVTi 4WD         |  | 06.2000 | 10.2005 | 47550-42020            |  |
|                |               | TOYOTA     | RAV4 II (00-05)                       | 2,0 D-4D 4WD         |  | 09.2001 | 10.2005 | 47550-42020            |  |
|                |               | TOYOTA     | RAV4 II (00-05)                       | 1,8 VVTi             |  | 02.2001 | 10.2005 | 47550-42020            |  |
|                |               | TOYOTA     | RAV4 II (00-05)                       | 2,4 VVTi 4x4         |  | 08.2003 | 10.2005 | 47550-42020            |  |
| 24.3219-1755.3 | <b>020508</b> | OPEL       | CORSA D / Vauxhall Corsa MK III (06-) | 1,4 i 16V            |  | 10.2006 |         | 5 50 248 , 93189986    |  |
|                |               | OPEL       | CORSA D / Vauxhall Corsa MK III (06-) | 1,3 CDTI             |  | 10.2006 |         | 5 50 248 , 93189986    |  |
|                |               | OPEL       | CORSA D / Vauxhall Corsa MK III (06-) | 1,0 i                |  | 10.2006 |         | 5 50 248 , 93189986    |  |
|                |               | OPEL       | CORSA D / Vauxhall Corsa MK III (06-) | 1,2 i 16V            |  | 10.2006 |         | 5 50 248 , 93189986    |  |
| 24.3220-1728.3 | <b>020509</b> | FIAT       | DOBLO (01-)                           | 1,6 i 16V            |  | 10.2005 |         | 77363849 , 47550-09100 |  |
|                |               | FIAT       | DOBLO (01-)                           | 1,9 JTD              |  | 10.2005 |         | 77363849 , 47550-09100 |  |



|  |  |  |  |  |                        |  |                                   |
|--|--|--|--|--|------------------------|--|-----------------------------------|
|  |  |  |  |  | OE numbers per ATE pn. |  | e.g. replaced pn. / miscellaneous |
|--|--|--|--|--|------------------------|--|-----------------------------------|



## RZH - Wheel cylinder rear

|                |        |        |                    |           |  |         |  |                        |  |
|----------------|--------|--------|--------------------|-----------|--|---------|--|------------------------|--|
| 24.3220-1728.3 | 020509 | FIAT   | DOBLO (01-)        | 1,4 i     |  | 10.2005 |  | 77363849 , 47550-09100 |  |
|                |        | FIAT   | DOBLO (01-)        | 1,3 JTD   |  | 10.2005 |  | 77363849 , 47550-09100 |  |
|                |        | FIAT   | FIORINO (08-)      | 1,4 i     |  | 02.2008 |  | 77363849 , 47550-09100 |  |
|                |        | FIAT   | FIORINO (08-)      | 1,3 JTD   |  | 02.2008 |  | 77363849 , 47550-09100 |  |
|                |        | FIAT   | GRANDE PUNTO (06-) | 1,4 i 16V |  | 02.2006 |  | 77363849 , 47550-09100 |  |
|                |        | FIAT   | GRANDE PUNTO (06-) | 1,3 JTD   |  | 10.2005 |  | 77363849 , 47550-09100 |  |
|                |        | FIAT   | GRANDE PUNTO (06-) | 1,2 i     |  | 10.2005 |  | 77363849 , 47550-09100 |  |
|                |        | FIAT   | GRANDE PUNTO (06-) | 1,4 i     |  | 10.2005 |  | 77363849 , 47550-09100 |  |
|                |        | FIAT   | IDEA (04-)         | 1,3 JTD   |  | 11.2005 |  | 77363849 , 47550-09100 |  |
|                |        | FIAT   | IDEA (04-)         | 1,9 JTD   |  | 07.2005 |  | 77363849 , 47550-09100 |  |
|                |        | FIAT   | LINEA (07-)        | 1,4 i     |  | 07.2007 |  | 77363849 , 47550-09100 |  |
|                |        | FIAT   | LINEA (07-)        | 1,3 JTD   |  | 07.2007 |  | 77363849 , 47550-09100 |  |
|                |        | LANCIA | MUSA (04-)         | 1,9 JTD   |  | 07.2005 |  | 77363849 , 47550-09100 |  |
|                |        | LANCIA | MUSA (04-)         | 1,3 JTD   |  | 09.2006 |  | 77363849 , 47550-09100 |  |
|                |        | TOYOTA | YARIS (06-)        | 1,4 D-4D  |  | 01.2006 |  | 77363849 , 47550-09100 |  |
|                |        | TOYOTA | YARIS (06-)        | 1,3 VVT-i |  | 01.2006 |  | 77363849 , 47550-09100 |  |
|                |        | TOYOTA | YARIS (06-)        | 1,0 VVT-i |  | 01.2006 |  | 77363849 , 47550-09100 |  |
|                |        | TOYOTA | YARIS (06-)        | 1,5 VVT-i |  | 01.2006 |  | 77363849 , 47550-09100 |  |



|  |  |  |  |  |                        |  |                                   |
|--|--|--|--|--|------------------------|--|-----------------------------------|
|  |  |  |  |  | OE numbers per ATE pn. |  | e.g. replaced pn. / miscellaneous |
|--|--|--|--|--|------------------------|--|-----------------------------------|



## RZH - Wheel cylinder rear

|                |               |        |            |           |  |         |  |          |  |
|----------------|---------------|--------|------------|-----------|--|---------|--|----------|--|
| 24.3222-1725.3 | <b>020510</b> | FIAT   | IDEA (04-) | 1,4 i     |  | 11.2005 |  | 77364028 |  |
|                |               | FIAT   | IDEA (04-) | 1,3 JTD   |  | 07.2005 |  | 77364028 |  |
|                |               | FIAT   | IDEA (04-) | 1,4 i 16V |  | 07.2005 |  | 77364028 |  |
|                |               | FIAT   | IDEA (04-) | 1,2 i 16V |  | 07.2005 |  | 77364028 |  |
|                |               | LANCIA | MUSA (04-) | 1,3 JTD   |  | 07.2005 |  | 77364028 |  |
|                |               | LANCIA | MUSA (04-) | 1,4 i 16V |  | 07.2005 |  | 77364028 |  |
|                |               | LANCIA | MUSA (04-) | 1,4 i     |  | 07.2005 |  | 77364028 |  |



## SAH - Caliper rear

|                |               |        |                      |        |    |         |         |             |  |
|----------------|---------------|--------|----------------------|--------|----|---------|---------|-------------|--|
| 24.3344-1719.5 | <b>240343</b> | NISSAN | ALMERA (N15) (95-00) | 1,6 i  | RL | 01.1998 | 04.2000 | 44011-0N600 |  |
|                |               | NISSAN | ALMERA (N15) (95-00) | 2,0 D  | RL | 01.1998 | 04.2000 | 44011-0N600 |  |
|                |               | NISSAN | ALMERA (N15) (95-00) | 2,0 i  | RL | 04.1996 | 04.2000 | 44011-0N600 |  |
|                |               | NISSAN | ALMERA (N15) (95-00) | 1,4 i  | RL | 07.1997 | 04.2000 | 44011-0N600 |  |
|                |               | NISSAN | ALMERA (N16) (00-)   | 1,5 i  | RL | 03.2000 | 03.2001 | 44011-0N600 |  |
|                |               | NISSAN | ALMERA (N16) (00-)   | 2,2 Di | RL | 03.2000 | 03.2001 | 44011-0N600 |  |
|                |               | NISSAN | ALMERA (N16) (00-)   | 1,8 i  | RL | 03.2000 | 03.2001 | 44011-0N600 |  |



|  |  |  |  |  |                        |                                       |
|--|--|--|--|--|------------------------|---------------------------------------|
|  |  |  |  |  | OE numbers per ATE pn. | <br>e.g. replaced pn. / miscellaneous |
|--|--|--|--|--|------------------------|---------------------------------------|



## SAH - Caliper rear

|                |               |       |                    |                |    |         |         |   |  |
|----------------|---------------|-------|--------------------|----------------|----|---------|---------|---|--|
| 24.3354-1701.5 | <b>240347</b> | MAZDA | 626 Estate (98-02) | 2,0 i 16V (GW) | RL | 02.1998 | 09.1999 | GEZC-26-99Z , GE7C-26-990B , GE7C-26-990C , GEZC-26-99ZA , GFYP-26-99Z , GFYP-26-99ZA |  |
|                |               | MAZDA | 626 Estate (98-02) | 1,8 i 16V (GW) | RL | 02.1998 | 12.1999 | GEZC-26-99Z , GE7C-26-990B , GE7C-26-990C , GEZC-26-99ZA , GFYP-26-99Z , GFYP-26-99ZA |  |
|                |               | MAZDA | PREMACY (99-05)    | 2,0 i 16V      | RL | 11.2001 | 02.2005 | GEZC-26-99Z , GE7C-26-990B , GE7C-26-990C , GEZC-26-99ZA , GFYP-26-99Z , GFYP-26-99ZA |  |
|                |               | MAZDA | PREMACY (99-05)    | 1,8 i 16V      | RL | 08.2001 | 02.2005 | GEZC-26-99Z , GE7C-26-990B , GE7C-26-990C , GEZC-26-99ZA , GFYP-26-99Z , GFYP-26-99ZA |  |
|                |               | MAZDA | PREMACY (99-05)    | 2,0 DiTD       | RL | 08.2001 | 02.2005 | GEZC-26-99Z , GE7C-26-990B , GE7C-26-990C , GEZC-26-99ZA , GFYP-26-99Z , GFYP-26-99ZA |  |
| 24.3354-1702.5 | <b>240348</b> | MAZDA | 626 Estate (98-02) | 2,0 i 16V (GW) | RR | 02.1998 | 09.1999 | GEZC-26-98Z , GE7C-26-980B , GE7C-26-980C , GEZC-26-98ZA , GFYP-26-98Z , GFYP-26-98ZA |  |
|                |               | MAZDA | 626 Estate (98-02) | 1,8 i 16V (GW) | RR | 02.1998 | 12.1999 | GEZC-26-98Z , GE7C-26-980B , GE7C-26-980C , GEZC-26-98ZA , GFYP-26-98Z , GFYP-26-98ZA |  |
|                |               | MAZDA | PREMACY (99-05)    | 2,0 DiTD       | RR | 08.2001 | 02.2005 | GEZC-26-98Z , GE7C-26-980B , GE7C-26-980C , GEZC-26-98ZA , GFYP-26-98Z , GFYP-26-98ZA |  |





|  |  |  |  |  |                        |  |                                   |
|--|--|--|--|--|------------------------|--|-----------------------------------|
|  |  |  |  |  | OE numbers per ATE pn. |  | e.g. replaced pn. / miscellaneous |
|--|--|--|--|--|------------------------|--|-----------------------------------|



## SAH - Caliper rear

|                |               |       |                 |           |    |         |         |   |  |
|----------------|---------------|-------|-----------------|-----------|----|---------|---------|---|--|
| 24.3354-1702.5 | <b>240348</b> | MAZDA | PREMACY (99-05) | 2,0 i 16V | RR | 11.2001 | 02.2005 | GEZC-26-98Z , GE7C-26-980B , GE7C-26-980C , GEZC-26-98ZA , GFYP-26-98Z , GFYP-26-98ZA |  |
|                |               | MAZDA | PREMACY (99-05) | 1,8 i 16V | RR | 08.2001 | 02.2005 | GEZC-26-98Z , GE7C-26-980B , GE7C-26-980C , GEZC-26-98ZA , GFYP-26-98Z , GFYP-26-98ZA |  |



## SAV - Caliper front

|                |               |        |                            |             |    |         |         |   |  |
|----------------|---------------|--------|----------------------------|-------------|----|---------|---------|---|--|
| 24.3481-1725.5 | <b>240187</b> | NISSAN | 100 NX (B13) (90-94)       | 1,6         | FL | 10.1990 | 10.1994 | 41011-60Y00 , 41011-60Y01 , 41011-60Y02 |  |
|                |               | NISSAN | SUNNY (N14) Saloon (90-95) | 1,4         | FL | 10.1990 | 05.1995 | 41011-60Y00 , 41011-60Y01 , 41011-60Y02 |  |
|                |               | NISSAN | SUNNY (N14) Saloon (90-95) | 1,6 16V     | FL | 10.1990 | 05.1995 | 41011-60Y00 , 41011-60Y01 , 41011-60Y02 |  |
|                |               | NISSAN | SUNNY (N14) Saloon (90-95) | 1,6 16V 4x4 | FL | 10.1990 | 05.1995 | 41011-60Y00 , 41011-60Y01 , 41011-60Y02 |  |
|                |               | NISSAN | SUNNY (N14) Saloon (90-95) | 2,0 D       | FL | 10.1990 | 05.1995 | 41011-60Y00 , 41011-60Y01 , 41011-60Y02 |  |
| 24.3481-1726.5 | <b>240188</b> | NISSAN | 100 NX (B13) (90-94)       | 1,6         | FR | 10.1990 | 10.1994 | 41001-60Y02 , 41001-60Y00 , 41001-60Y01 |  |
|                |               | NISSAN | SUNNY (N14) Saloon (90-95) | 1,6 16V 4x4 | FR | 10.1990 | 05.1995 | 41001-60Y02 , 41001-60Y00 , 41001-60Y01 |  |



|  |  |  |  |  |                        |  |                                   |
|--|--|--|--|--|------------------------|--|-----------------------------------|
|  |  |  |  |  | OE numbers per ATE pn. |  | e.g. replaced pn. / miscellaneous |
|--|--|--|--|--|------------------------|--|-----------------------------------|



## SAV - Caliper front

|                |               |               |                                       |                   |    |         |         |   |                |
|----------------|---------------|---------------|---------------------------------------|-------------------|----|---------|---------|---|----------------|
| 24.3481-1726.5 | <b>240188</b> | NISSAN        | SUNNY (N14) Saloon (90-95)            | 1,6 16V           | FR | 10.1990 | 05.1995 | 41001-60Y02 , 41001-60Y00 , 41001-60Y01   |                |
|                |               | NISSAN        | SUNNY (N14) Saloon (90-95)            | 2,0 D             | FR | 10.1990 | 05.1995 | 41001-60Y02 , 41001-60Y00 , 41001-60Y01   |                |
|                |               | NISSAN        | SUNNY (N14) Saloon (90-95)            | 1,4               | FR | 10.1990 | 05.1995 | 41001-60Y02 , 41001-60Y00 , 41001-60Y01   |                |
| 24.3481-1759.5 | <b>240339</b> | MERCEDES BENZ | Transporter (BM 631) MB 100 D (87-96) | MB 100 D          |    | 09.1987 | 02.1996 | 631 420 10 83 , 631 420 11 83 , 631 420 32 83 , 631 420 33 83 , 631 420 04 83 , 631 420 05 83 | 24.3481-1727.7 |
| 24.3481-1763.5 | <b>240367</b> | NISSAN        | MICRA (K11E) (92-02)                  | 1,3 i 16V         | FL | 08.1992 | 08.2000 | 41011-99B00   |                |
|                |               | NISSAN        | MICRA (K11E) (92-02)                  | 1,0 i 16V         | FL | 09.2000 | 12.2002 | 41011-99B00   |                |
|                |               | NISSAN        | MICRA (K11E) (92-02)                  |                   | FL | 08.1992 | 08.2000 | 41011-99B00   |                |
|                |               | NISSAN        | MICRA (K11E) (92-02)                  | 1,5 D             | FL | 02.1998 | 12.2002 | 41011-99B00   |                |
|                |               | NISSAN        | MICRA (K11E) (92-02)                  | 1,3 i 16V         | FL | 09.2000 | 12.2002 | 41011-99B00   |                |
| 24.3481-1764.5 | <b>240368</b> | NISSAN        | MICRA (K11E) (92-02)                  | 1,0 i 16V         | FR | 08.1992 | 08.2000 | 41001-99B00   |                |
|                |               | NISSAN        | MICRA (K11E) (92-02)                  |                   | FR | 09.2000 | 12.2002 | 41001-99B00   |                |
|                |               | NISSAN        | MICRA (K11E) (92-02)                  | 1,5 D             | FR | 02.1998 | 12.2002 | 41001-99B00   |                |
|                |               | NISSAN        | MICRA (K11E) (92-02)                  | 1,3 i 16V         | FR | 09.2000 | 12.2002 | 41001-99B00   |                |
|                |               | NISSAN        | MICRA (K11E) (92-02)                  |                   | FR | 08.1992 | 08.2000 | 41001-99B00   |                |
| 24.3481-1769.5 | <b>240373</b> | PEUGEOT       | 206 Saloon (98-)                      | 1,4 Roland Garros | FL |         |         | 4400 P0   |                |
|                |               | PEUGEOT       | 206 Saloon (98-)                      | 1,4 HDi           | FL | 09.2001 |         | 4400 P0   |                |



|  |  |  |  |  |                           |  |
|--|--|--|--|--|---------------------------|--|
|  |  |  |  |  | OE numbers per<br>ATE pn. | <br>e.g. replaced pn. /<br>miscellaneous |
|--|--|--|--|--|---------------------------|--|



## SAV - Caliper front

|                |               |            |                         |                |    |         |         |          |  |
|----------------|---------------|------------|-------------------------|----------------|----|---------|---------|----------|--|
| 24.3481-1769.5 | <b>240373</b> | PEUGEOT    | 206 Saloon (98-)        | 1,4            | FL |         |         | 4400 P0  |  |
|                |               | PEUGEOT    | 206 Saloon (98-)        | 1,9 D          | FL |         |         | 4400 P0  |  |
|                |               | PEUGEOT    | 206 Saloon (98-)        | 1,1            | FL |         |         | 4400 P0  |  |
|                |               | PEUGEOT    | 206 Saloon (98-)        | 1,6            | FL |         |         | 4400 P0  |  |
|                |               | PEUGEOT    | 206 SW (02-)            | 1,4 HDi        | FL | 07.2002 |         | 4400 P0  |  |
| 24.3541-1815.5 | <b>240383</b> | MITSUBISHI | GALANT (4-door) (87-92) | 1,8 TD (E34A)  | FL | 06.1990 | 10.1992 | MB699172 |  |
|                |               | MITSUBISHI | GALANT (4-door) (87-92) | 1,8 (E32A)     | FL | 06.1990 | 10.1992 | MB699172 |  |
|                |               | MITSUBISHI | GALANT (5-door) (88-92) | 1,8 TD (E34A)  | FL | 06.1990 | 10.1992 | MB699172 |  |
|                |               | MITSUBISHI | GALANT (5-door) (88-92) | 1,8 (E32A)     | FL | 06.1990 | 10.1992 | MB699172 |  |
|                |               | MITSUBISHI | SPACE RUNNER (91-99)    | 1,8 4x4 (N21W) | FL | 06.1991 | 08.1999 | MB699172 |  |
|                |               | MITSUBISHI | SPACE RUNNER (91-99)    | 2,0 TD (N18W)  | FL | 06.1992 | 08.1999 | MB699172 |  |
|                |               | MITSUBISHI | SPACE RUNNER (91-99)    | 1,8 (N11W)     | FL | 06.1991 | 08.1999 | MB699172 |  |
|                |               | MITSUBISHI | SPACE WAGON (91-98)     | 1,8 4x4 (N41W) | FL | 05.1991 | 05.1992 | MB699172 |  |
|                |               | MITSUBISHI | SPACE WAGON (91-98)     | 1,8 (N31W)     | FL | 05.1991 | 05.1992 | MB699172 |  |
|                |               | MITSUBISHI | SPACE WAGON (91-98)     | 1,8 TD (N35W)  | FL | 05.1991 | 05.1992 | MB699172 |  |
|                |               | MITSUBISHI | SPACE WAGON (91-98)     | 2,0 TD (N38W)  | FL | 06.1992 | 10.1998 | MB699172 |  |
|                |               | MITSUBISHI | SPACE WAGON (91-98)     | 2,0 (N33W)     | FL | 06.1992 | 10.1998 | MB699172 |  |
|                |               | MITSUBISHI | SPACE WAGON (91-98)     | 2,0 4x4 (N43W) | FL | 06.1992 | 10.1998 | MB699172 |  |



|  |  |  |  |  |                        |  |                                   |
|--|--|--|--|--|------------------------|--|-----------------------------------|
|  |  |  |  |  | OE numbers per ATE pn. |  | e.g. replaced pn. / miscellaneous |
|--|--|--|--|--|------------------------|--|-----------------------------------|



## SAV - Caliper front

|                |               |            |                         |                |    |         |         |          |  |
|----------------|---------------|------------|-------------------------|----------------|----|---------|---------|----------|--|
| 24.3541-1815.5 | <b>240383</b> | mitsubishi | SPACE WAGON (91-98)     | 2,4 (N34W)     | FL | 06.1992 | 05.1996 | MB699172 |  |
| 24.3541-1816.5 | <b>240384</b> | mitsubishi | GALANT (4-door) (87-92) | 1,8 (E32A)     | FR | 06.1990 | 10.1992 | MB699173 |  |
|                |               | mitsubishi | GALANT (4-door) (87-92) | 1,8 TD (E34A)  | FR | 06.1990 | 10.1992 | MB699173 |  |
|                |               | mitsubishi | GALANT (5-door) (88-92) | 1,8 (E32A)     | FR | 06.1990 | 10.1992 | MB699173 |  |
|                |               | mitsubishi | GALANT (5-door) (88-92) | 1,8 TD (E34A)  | FR | 06.1990 | 10.1992 | MB699173 |  |
|                |               | mitsubishi | SPACE RUNNER (91-99)    | 2,0 TD (N18W)  | FR | 06.1992 | 08.1999 | MB699173 |  |
|                |               | mitsubishi | SPACE RUNNER (91-99)    | 1,8 (N11W)     | FR | 06.1991 | 08.1999 | MB699173 |  |
|                |               | mitsubishi | SPACE RUNNER (91-99)    | 1,8 4x4 (N21W) | FR | 06.1991 | 08.1999 | MB699173 |  |
|                |               | mitsubishi | SPACE WAGON (91-98)     | 2,4 (N34W)     | FR | 06.1992 | 05.1996 | MB699173 |  |
|                |               | mitsubishi | SPACE WAGON (91-98)     | 2,0 TD (N38W)  | FR | 06.1992 | 10.1998 | MB699173 |  |
|                |               | mitsubishi | SPACE WAGON (91-98)     | 1,8 TD (N35W)  | FR | 05.1991 | 05.1992 | MB699173 |  |
|                |               | mitsubishi | SPACE WAGON (91-98)     | 1,8 4x4 (N41W) | FR | 05.1991 | 05.1992 | MB699173 |  |
|                |               | mitsubishi | SPACE WAGON (91-98)     | 2,0 4x4 (N43W) | FR | 06.1992 | 10.1998 | MB699173 |  |
|                |               | mitsubishi | SPACE WAGON (91-98)     | 2,0 (N33W)     | FR | 06.1992 | 10.1998 | MB699173 |  |
|                |               | mitsubishi | SPACE WAGON (91-98)     | 1,8 (N31W)     | FR | 05.1991 | 05.1992 | MB699173 |  |
| 24.3571-1735.5 | <b>240385</b> | FORD       | MONDEO III (01-06)      | 3,0 i V6       | FL | 09.2004 | 03.2007 | 1123895  |  |
|                |               | FORD       | MONDEO III (01-06)      | 1,8 i 16V      | FL | 10.2000 | 03.2007 | 1123895  |  |
|                |               | FORD       | MONDEO III (01-06)      | 1,8 SCi        | FL | 06.2003 | 03.2007 | 1123895  |  |



|  |  |  |  |  |                        |  |                                   |
|--|--|--|--|--|------------------------|--|-----------------------------------|
|  |  |  |  |  | OE numbers per ATE pn. |  | e.g. replaced pn. / miscellaneous |
|--|--|--|--|--|------------------------|--|-----------------------------------|



## SAV - Caliper front

|                |               |      |                    |           |    |         |         |   |  |
|----------------|---------------|------|--------------------|-----------|----|---------|---------|---|--|
| 24.3571-1735.5 | <b>240385</b> | FORD | MONDEO III (01-06) | 2,0 DI    | FL | 10.2000 | 03.2007 | 1123895                                   |  |
|                |               | FORD | MONDEO III (01-06) | 2,0 i 16V | FL | 10.2000 | 03.2007 | 1123895                                   |  |
|                |               | FORD | MONDEO III (01-06) | 2,0 TDCi  | FL | 10.2001 | 03.2007 | 1123895                                   |  |
|                |               | FORD | MONDEO III (01-06) | 2,5 i V6  | FL | 10.2000 | 03.2007 | 1123895                                   |  |
|                |               | FORD | MONDEO III (01-06) | ST 220    | FL | 04.2002 | 03.2007 | 1123895                                   |  |
|                |               | FORD | MONDEO III (01-06) | 2,2 TDCi  | FL | 09.2004 | 03.2007 | 1123895                                   |  |
| 24.3571-1736.5 | <b>240386</b> | FORD | MONDEO III (01-06) | 3,0 i V6  | FR | 09.2004 | 03.2007 | 1123892                                   |  |
|                |               | FORD | MONDEO III (01-06) | 1,8 i 16V | FR | 10.2000 | 03.2007 | 1123892                                   |  |
|                |               | FORD | MONDEO III (01-06) | 1,8 SCi   | FR | 06.2003 | 03.2007 | 1123892                                   |  |
|                |               | FORD | MONDEO III (01-06) | 2,0 DI    | FR | 10.2000 | 03.2007 | 1123892                                   |  |
|                |               | FORD | MONDEO III (01-06) | 2,0 i 16V | FR | 10.2000 | 03.2007 | 1123892                                   |  |
|                |               | FORD | MONDEO III (01-06) | 2,0 TDCi  | FR | 10.2001 | 03.2007 | 1123892                                   |  |
|                |               | FORD | MONDEO III (01-06) | 2,5 i V6  | FR | 10.2000 | 03.2007 | 1123892                                   |  |
|                |               | FORD | MONDEO III (01-06) | ST 220    | FR | 04.2002 | 03.2007 | 1123892                                   |  |
|                |               | FORD | MONDEO III (01-06) | 2,2 TDCi  | FR | 09.2004 | 03.2007 | 1123892                                   |  |
| 24.3601-1717.5 | <b>240391</b> | OPEL | FRONTERA A (92-98) | 2,2 16V   | FL |         | 10.1998 | 97035249 , 5 42 247 , 97144477 , 5 42 116 |  |
|                |               | OPEL | FRONTERA A (92-98) | 2,8 TD    | FL |         | 10.1998 | 97035249 , 5 42 247 , 97144477 , 5 42 116 |  |



|  |  |  |  |  |                        |  |                                   |
|--|--|--|--|--|------------------------|--|-----------------------------------|
|  |  |  |  |  | OE numbers per ATE pn. |  | e.g. replaced pn. / miscellaneous |
|--|--|--|--|--|------------------------|--|-----------------------------------|



## SAV - Caliper front

|                |        |      |                    |         |    |         |         |   |  |
|----------------|--------|------|--------------------|---------|----|---------|---------|---|--|
| 24.3601-1717.5 | 240391 | OPEL | FRONTERA A (92-98) | 2,3 TD  | FL |         | 10.1998 | 97035249 , 5 42 247 , 97144477 , 5 42 116 |  |
|                |        | OPEL | FRONTERA A (92-98) | 2       | FL |         | 10.1998 | 97035249 , 5 42 247 , 97144477 , 5 42 116 |  |
|                |        | OPEL | FRONTERA A (92-98) | 2,4     | FL |         | 10.1998 | 97035249 , 5 42 247 , 97144477 , 5 42 116 |  |
|                |        | OPEL | FRONTERA A (92-98) | 2,5 TDS | FL |         | 10.1998 | 97035249 , 5 42 247 , 97144477 , 5 42 116 |  |
|                |        | OPEL | FRONTERA B (98-04) | 3,2 i   | FL | 10.1998 | 02.2004 | 97035249 , 5 42 247 , 97144477 , 5 42 116 |  |
|                |        | OPEL | FRONTERA B (98-04) | 2,2 DTI | FL | 10.1998 | 02.2004 | 97035249 , 5 42 247 , 97144477 , 5 42 116 |  |
|                |        | OPEL | FRONTERA B (98-04) | 2,2 i   | FL | 10.1998 | 02.2004 | 97035249 , 5 42 247 , 97144477 , 5 42 116 |  |
|                |        | OPEL | MONTEREY (92-98)   | 3,2     | FL | 05.1992 | 07.1998 | 97035249 , 5 42 247 , 97144477 , 5 42 116 |  |
|                |        | OPEL | MONTEREY (92-98)   | 3,1 TD  | FL | 09.1991 | 07.1998 | 97035249 , 5 42 247 , 97144477 , 5 42 116 |  |
|                |        | OPEL | MONTEREY (98-99)   | 3,5 V6  | FL | 07.1998 | 08.1999 | 97035249 , 5 42 247 , 97144477 , 5 42 116 |  |
|                |        | OPEL | MONTEREY (98-99)   | 3,0 DTI | FL | 07.1998 | 08.1999 | 97035249 , 5 42 247 , 97144477 , 5 42 116 |  |
| 24.3601-1718.5 | 240392 | OPEL | FRONTERA A (92-98) | 2,5 TDS | FR |         | 10.1998 | 5 42 248 , 97035248 , 97144476 , 5 42 107 |  |



|  |  |  |  |  |                        |  |                                   |
|--|--|--|--|--|------------------------|--|-----------------------------------|
|  |  |  |  |  | OE numbers per ATE pn. |  | e.g. replaced pn. / miscellaneous |
|--|--|--|--|--|------------------------|--|-----------------------------------|



## SAV - Caliper front

|                |               |         |                    |         |    |         |         |   |  |
|----------------|---------------|---------|--------------------|---------|----|---------|---------|---|--|
| 24.3601-1718.5 | <b>240392</b> | OPEL    | FRONTERA A (92-98) | 2       | FR |         | 10.1998 | 5 42 248 , 97035248 , 97144476 , 5 42 107 |  |
|                |               | OPEL    | FRONTERA A (92-98) | 2,4     | FR |         | 10.1998 | 5 42 248 , 97035248 , 97144476 , 5 42 107 |  |
|                |               | OPEL    | FRONTERA A (92-98) | 2,8 TD  | FR |         | 10.1998 | 5 42 248 , 97035248 , 97144476 , 5 42 107 |  |
|                |               | OPEL    | FRONTERA A (92-98) | 2,2 16V | FR |         | 10.1998 | 5 42 248 , 97035248 , 97144476 , 5 42 107 |  |
|                |               | OPEL    | FRONTERA A (92-98) | 2,3 TD  | FR |         | 10.1998 | 5 42 248 , 97035248 , 97144476 , 5 42 107 |  |
|                |               | OPEL    | FRONTERA B (98-04) | 2,2 i   | FR | 10.1998 | 02.2004 | 5 42 248 , 97035248 , 97144476 , 5 42 107 |  |
|                |               | OPEL    | FRONTERA B (98-04) | 2,2 DTI | FR | 10.1998 | 02.2004 | 5 42 248 , 97035248 , 97144476 , 5 42 107 |  |
|                |               | OPEL    | FRONTERA B (98-04) | 3,2 i   | FR | 10.1998 | 02.2004 | 5 42 248 , 97035248 , 97144476 , 5 42 107 |  |
|                |               | OPEL    | MONTEREY (92-98)   | 3,1 TD  | FR | 09.1991 | 07.1998 | 5 42 248 , 97035248 , 97144476 , 5 42 107 |  |
|                |               | OPEL    | MONTEREY (92-98)   | 3,2     | FR | 05.1992 | 07.1998 | 5 42 248 , 97035248 , 97144476 , 5 42 107 |  |
|                |               | OPEL    | MONTEREY (98-99)   | 3,5 V6  | FR | 07.1998 | 08.1999 | 5 42 248 , 97035248 , 97144476 , 5 42 107 |  |
|                |               | OPEL    | MONTEREY (98-99)   | 3,0 DTI | FR | 07.1998 | 08.1999 | 5 42 248 , 97035248 , 97144476 , 5 42 107 |  |
| 24.3481-1761.5 | <b>240393</b> | CITROEN | C2 (03-)           | 1,4 HDi | FL | 09.2003 |         | 4401 E0                                   |  |



|  |  |  |  |  |                        |  |                                   |
|--|--|--|--|--|------------------------|--|-----------------------------------|
|  |  |  |  |  | OE numbers per ATE pn. |  | e.g. replaced pn. / miscellaneous |
|--|--|--|--|--|------------------------|--|-----------------------------------|



## SAV - Caliper front

|                |               |         |          |         |    |         |  |         |  |
|----------------|---------------|---------|----------|---------|----|---------|--|---------|--|
| 24.3481-1761.5 | <b>240393</b> | CITROEN | C2 (03-) | 1,1 i   | FL | 09.2003 |  | 4401 E0 |  |
|                |               | CITROEN | C2 (03-) | 1,4 i   | FL | 09.2003 |  | 4401 E0 |  |
|                |               | CITROEN | C3 (02-) | 1,1 i   | FL | 02.2002 |  | 4401 E0 |  |
|                |               | CITROEN | C3 (02-) | 1,4 HDi | FL | 02.2002 |  | 4401 E0 |  |
|                |               | CITROEN | C3 (02-) | 1,4 i   | FL | 02.2002 |  | 4401 E0 |  |
| 24.3481-1762.5 | <b>240394</b> | CITROEN | C2 (03-) | 1,1 i   | FR | 09.2003 |  | 4401 E1 |  |
|                |               | CITROEN | C2 (03-) | 1,4 HDi | FR | 09.2003 |  | 4401 E1 |  |
|                |               | CITROEN | C2 (03-) | 1,4 i   | FR | 09.2003 |  | 4401 E1 |  |
|                |               | CITROEN | C3 (02-) |         | FR | 02.2002 |  | 4401 E1 |  |
|                |               | CITROEN | C3 (02-) | 1,1 i   | FR | 02.2002 |  | 4401 E1 |  |
|                |               | CITROEN | C3 (02-) | 1,4 HDi | FR | 02.2002 |  | 4401 E1 |  |



## SBH - Brake pads rear

|                |               |      |                    |          |  |         |         |         |             |
|----------------|---------------|------|--------------------|----------|--|---------|---------|---------|-------------|
| 13.0460-3831.2 | <b>603831</b> | FORD | MONDEO III (01-06) | 2,2 TDCi |  | 09.2004 | 03.2007 | 1356392 | see drawing |
|                |               | FORD | MONDEO III (01-06) | 1,8 SCi  |  | 09.2004 | 03.2007 | 1356392 | see drawing |
|                |               | FORD | MONDEO III (01-06) | 2,0 DI   |  | 09.2004 | 03.2007 | 1356392 | see drawing |
|                |               | FORD | MONDEO III (01-06) | 2,0 TDCi |  | 09.2004 | 03.2007 | 1356392 | see drawing |





|  |  |  |  |  |                        |  |                                   |
|--|--|--|--|--|------------------------|--|-----------------------------------|
|  |  |  |  |  | OE numbers per ATE pn. |  | e.g. replaced pn. / miscellaneous |
|--|--|--|--|--|------------------------|--|-----------------------------------|



## SBH - Brake pads rear

|                |               |      |                      |                 |         |         |             |             |
|----------------|---------------|------|----------------------|-----------------|---------|---------|-------------|-------------|
| 13.0460-3831.2 | <b>603831</b> | FORD | MONDEO III (01-06)   | 2,5 i V6        | 09.2004 | 03.2007 | 1356392     | see drawing |
|                |               | FORD | MONDEO III (01-06)   | 3,0 i V6        | 09.2004 | 03.2007 | 1356392     | see drawing |
|                |               | FORD | MONDEO III (01-06)   | ST 220          | 09.2004 | 03.2007 | 1356392     | see drawing |
|                |               | FORD | MONDEO III (01-06)   | 2,0 i 16V       | 09.2004 | 03.2007 | 1356392     | see drawing |
|                |               | FORD | MONDEO III (01-06)   | 1,8 i 16V       | 09.2004 | 03.2007 | 1356392     | see drawing |
| 13.0460-0023.2 | <b>610023</b> | AUDI | A4 (B6/B7) (01-)     | RS4 4,2         | 11.2005 |         | 3D0 615 231 |             |
|                |               | AUDI | A4 (B6/B7) (01-)     | S4 4,2          | 01.2005 |         | 3D0 615 231 |             |
|                |               | AUDI | A4 CONVERTIBLE (02-) | S4 4,2 Quattro  | 02.2004 |         | 3D0 615 231 |             |
|                |               | AUDI | A4 CONVERTIBLE (02-) | RS4 4,2         | 05.2006 |         | 3D0 615 231 |             |
|                |               | AUDI | A6 (C6) Avant (05-)  | 3               | 03.2005 |         | 3D0 615 231 |             |
|                |               | AUDI | A6 (C6) Avant (05-)  | 4,2 Quattro     | 03.2005 |         | 3D0 615 231 |             |
|                |               | AUDI | A6 (C6) Avant (05-)  | 3,2             | 03.2005 |         | 3D0 615 231 |             |
|                |               | AUDI | A6 (C6) Avant (05-)  | 3,2 Quattro     | 03.2005 |         | 3D0 615 231 |             |
|                |               | AUDI | A6 (C6) Avant (05-)  | 3,0 TDI Quattro | 06.2006 |         | 3D0 615 231 |             |
|                |               | AUDI | A6 (C6) Avant (05-)  |                 | 03.2005 |         | 3D0 615 231 |             |
|                |               | AUDI | A6 (C6) Avant (05-)  | 3,0 Quattro     | 03.2005 |         | 3D0 615 231 |             |
|                |               | AUDI | A6 (C6) Avant (05-)  | S6              | 03.2006 |         | 3D0 615 231 |             |
|                |               | AUDI | A6 (C6) Avant (05-)  | 2,0 TDI         | 06.2005 |         | 3D0 615 231 |             |



|  |  |  |  |  |                        |  |                                   |
|--|--|--|--|--|------------------------|--|-----------------------------------|
|  |  |  |  |  | OE numbers per ATE pn. |  | e.g. replaced pn. / miscellaneous |
|--|--|--|--|--|------------------------|--|-----------------------------------|



## SBH - Brake pads rear

|                |               |      |                      |                 |  |         |  |             |  |
|----------------|---------------|------|----------------------|-----------------|--|---------|--|-------------|--|
| 13.0460-0023.2 | <b>610023</b> | AUDI | A6 (C6) Avant (05-)  | 2,8 FSI         |  | 11.2006 |  | 3D0 615 231 |  |
|                |               | AUDI | A6 (C6) Avant (05-)  | 2,7 TDI Quattro |  | 06.2005 |  | 3D0 615 231 |  |
|                |               | AUDI | A6 (C6) Avant (05-)  |                 |  | 03.2005 |  | 3D0 615 231 |  |
|                |               | AUDI | A6 (C6) Avant (05-)  | 2,7 TDI         |  | 03.2005 |  | 3D0 615 231 |  |
|                |               | AUDI | A6 (C6) Avant (05-)  | 2,4 Quattro     |  | 03.2005 |  | 3D0 615 231 |  |
|                |               | AUDI | A6 (C6) Avant (05-)  | 2,4             |  | 03.2005 |  | 3D0 615 231 |  |
|                |               | AUDI | A6 (C6) Avant (05-)  | 2,0 TFSI        |  | 06.2005 |  | 3D0 615 231 |  |
|                |               | AUDI | A6 (C6) Avant (05-)  | 2,0 TDI         |  | 03.2005 |  | 3D0 615 231 |  |
|                |               | AUDI | A6 (C6) Avant (05-)  | 4,2 FSI Quattro |  | 06.2006 |  | 3D0 615 231 |  |
|                |               | AUDI | A6 (C6) Avant (05-)  | 2,8 FSI Quattro |  | 04.2007 |  | 3D0 615 231 |  |
|                |               | AUDI | A6 (C6) Saloon (04-) | 3,0 Quattro     |  | 04.2004 |  | 3D0 615 231 |  |
|                |               | AUDI | A6 (C6) Saloon (04-) | 3,0 TDI Quattro |  | 04.2004 |  | 3D0 615 231 |  |
|                |               | AUDI | A6 (C6) Saloon (04-) |                 |  | 06.2006 |  | 3D0 615 231 |  |
|                |               | AUDI | A6 (C6) Saloon (04-) | 3,2 FSI         |  | 04.2004 |  | 3D0 615 231 |  |
|                |               | AUDI | A6 (C6) Saloon (04-) | 3,2 FSI Quattro |  | 04.2004 |  | 3D0 615 231 |  |
|                |               | AUDI | A6 (C6) Saloon (04-) | 3               |  | 04.2004 |  | 3D0 615 231 |  |
|                |               | AUDI | A6 (C6) Saloon (04-) | 4,2 Quattro     |  | 04.2004 |  | 3D0 615 231 |  |
|                |               | AUDI | A6 (C6) Saloon (04-) | 2,7 TDI         |  | 11.2004 |  | 3D0 615 231 |  |



|  |  |  |  |  |                        |  |                                   |
|--|--|--|--|--|------------------------|--|-----------------------------------|
|  |  |  |  |  | OE numbers per ATE pn. |  | e.g. replaced pn. / miscellaneous |
|--|--|--|--|--|------------------------|--|-----------------------------------|



## SBH - Brake pads rear

|                |               |      |                      |                 |  |         |  |             |  |
|----------------|---------------|------|----------------------|-----------------|--|---------|--|-------------|--|
| 13.0460-0023.2 | <b>610023</b> | AUDI | A6 (C6) Saloon (04-) | S6              |  | 03.2006 |  | 3D0 615 231 |  |
|                |               | AUDI | A6 (C6) Saloon (04-) | 4,2 FSI Quattro |  | 06.2006 |  | 3D0 615 231 |  |
|                |               | AUDI | A6 (C6) Saloon (04-) | 2,8 FSI Quattro |  | 04.2007 |  | 3D0 615 231 |  |
|                |               | AUDI | A6 (C6) Saloon (04-) | 2,8 FSI         |  | 11.2006 |  | 3D0 615 231 |  |
|                |               | AUDI | A6 (C6) Saloon (04-) | 2,7 TDI Quattro |  | 06.2005 |  | 3D0 615 231 |  |
|                |               | AUDI | A6 (C6) Saloon (04-) | 2,4 Quattro     |  | 01.2005 |  | 3D0 615 231 |  |
|                |               | AUDI | A6 (C6) Saloon (04-) | 2,4             |  | 04.2004 |  | 3D0 615 231 |  |
|                |               | AUDI | A6 (C6) Saloon (04-) | 2,0 TFSI        |  | 06.2005 |  | 3D0 615 231 |  |
|                |               | AUDI | A6 (C6) Saloon (04-) | 2,0 TDI         |  | 07.2004 |  | 3D0 615 231 |  |
|                |               | AUDI | A6 (C6) Saloon (04-) |                 |  | 06.2005 |  | 3D0 615 231 |  |
|                |               | AUDI | A6 (C6) Saloon (04-) | 2,7 TDI Quattro |  | 11.2004 |  | 3D0 615 231 |  |
|                |               | AUDI | A6 Allroad (06-)     | 2,7 TDI         |  | 05.2006 |  | 3D0 615 231 |  |
|                |               | AUDI | A6 Allroad (06-)     | 4,2 FSI         |  | 05.2006 |  | 3D0 615 231 |  |
|                |               | AUDI | A6 Allroad (06-)     | 3,2 FSI         |  | 05.2006 |  | 3D0 615 231 |  |
|                |               | AUDI | A6 Allroad (06-)     | 3,0 TDI         |  | 05.2006 |  | 3D0 615 231 |  |
|                |               | AUDI | A8 (03-)             | 6,0 W12 Quattro |  | 02.2004 |  | 3D0 615 231 |  |
|                |               | AUDI | A8 (03-)             | S8              |  | 06.2006 |  | 3D0 615 231 |  |
|                |               | AUDI | A8 (03-)             | 4,2 TDI Quattro |  | 07.2005 |  | 3D0 615 231 |  |



|  |  |  |  |  |                        |  |                                   |
|--|--|--|--|--|------------------------|--|-----------------------------------|
|  |  |  |  |  | OE numbers per ATE pn. |  | e.g. replaced pn. / miscellaneous |
|--|--|--|--|--|------------------------|--|-----------------------------------|



## SBH - Brake pads rear

|                |               |            |                        |                 |  |         |  |             |  |
|----------------|---------------|------------|------------------------|-----------------|--|---------|--|-------------|--|
| 13.0460-0023.2 | <b>610023</b> | AUDI       | A8 (03-)               | 4,2 Quattro     |  | 11.2002 |  | 3D0 615 231 |  |
|                |               | AUDI       | A8 (03-)               | 4,2 FSI Quattro |  | 06.2006 |  | 3D0 615 231 |  |
|                |               | AUDI       | A8 (03-)               | 4,0 TDI Quattro |  | 03.2003 |  | 3D0 615 231 |  |
|                |               | AUDI       | A8 (03-)               | 3,2 FSI Quattro |  | 06.2005 |  | 3D0 615 231 |  |
|                |               | AUDI       | A8 (03-)               | 3,2 FSI         |  | 06.2005 |  | 3D0 615 231 |  |
|                |               | AUDI       | A8 (03-)               | 3,0 TDI Quattro |  | 11.2003 |  | 3D0 615 231 |  |
|                |               | AUDI       | A8 (03-)               | 3               |  | 07.2003 |  | 3D0 615 231 |  |
|                |               | AUDI       | A8 (03-)               | 2,8 FSI         |  | 08.2007 |  | 3D0 615 231 |  |
|                |               | AUDI       | A8 (03-)               | 3,7 Quattro     |  | 11.2002 |  | 3D0 615 231 |  |
|                |               | VOLKSWAGEN | PHAETON (02-)          | 5,0 V10 TDI     |  | 11.2002 |  | 3D0 615 231 |  |
|                |               | VOLKSWAGEN | PHAETON (02-)          | 4,2 V8          |  | 05.2003 |  | 3D0 615 231 |  |
|                |               | VOLKSWAGEN | PHAETON (02-)          | 3,0 TDI         |  | 09.2004 |  | 3D0 615 231 |  |
|                |               | VOLKSWAGEN | PHAETON (02-)          | 3,2 V6          |  | 04.2002 |  | 3D0 615 231 |  |
|                |               | VOLKSWAGEN | PHAETON (02-)          | 6,0 W12         |  | 04.2002 |  | 3D0 615 231 |  |
|                |               | VOLKSWAGEN | TRANSPORTER (T5) (03-) | 2               |  | 06.2003 |  | 3D0 615 231 |  |
|                |               | VOLKSWAGEN | TRANSPORTER (T5) (03-) | 2,5 TDI         |  | 02.2003 |  | 3D0 615 231 |  |
|                |               | VOLKSWAGEN | TRANSPORTER (T5) (03-) | 2,5 TDI 4motion |  | 07.2004 |  | 3D0 615 231 |  |
|                |               | VOLKSWAGEN | TRANSPORTER (T5) (03-) | 3,2 V6          |  | 02.2003 |  | 3D0 615 231 |  |



|  |  |  |  |  |                        |  |                                   |
|--|--|--|--|--|------------------------|--|-----------------------------------|
|  |  |  |  |  | OE numbers per ATE pn. |  | e.g. replaced pn. / miscellaneous |
|--|--|--|--|--|------------------------|--|-----------------------------------|



## SBH - Brake pads rear

|                |               |            |                         |                 |  |         |  |             |  |
|----------------|---------------|------------|-------------------------|-----------------|--|---------|--|-------------|--|
| 13.0460-0023.2 | <b>610023</b> | VOLKSWAGEN | TRANSPORTER (T5) (03-)  | 3,2 V6 4motion  |  | 07.2004 |  | 3D0 615 231 |  |
|                |               | VOLKSWAGEN | TRANSPORTER (T5) (03-)  | 1,9 TDI         |  | 06.2006 |  | 3D0 615 231 |  |
|                |               | VOLKSWAGEN | TRANSPORTER (T5) (03-)  |                 |  | 04.2003 |  | 3D0 615 231 |  |
| 13.0460-0035.2 | <b>610035</b> | AUDI       | A3 / A3 Sportback (03-) | 3,2 Quattro     |  | 07.2003 |  | 8P0 615 231 |  |
|                |               | AUDI       | A3 / A3 Sportback (03-) | S3              |  | 11.2006 |  | 8P0 615 231 |  |
|                |               | VOLKSWAGEN | EOS (06-)               | 2,0 TDI         |  | 05.2006 |  | 8P0 615 231 |  |
|                |               | VOLKSWAGEN | EOS (06-)               | 2,0 FSI         |  | 05.2006 |  | 8P0 615 231 |  |
|                |               | VOLKSWAGEN | EOS (06-)               | 2,0 TFSI        |  | 05.2006 |  | 8P0 615 231 |  |
|                |               | VOLKSWAGEN | EOS (06-)               | 3,2 FSI         |  | 05.2006 |  | 8P0 615 231 |  |
|                |               | VOLKSWAGEN | EOS (06-)               | 1,6 FSI         |  | 05.2006 |  | 8P0 615 231 |  |
|                |               | VOLKSWAGEN | GOLF V (03-)            | 1,4 FSI         |  | 10.2003 |  | 8P0 615 231 |  |
|                |               | VOLKSWAGEN | GOLF V (03-)            | 1,4 TSI         |  | 05.2007 |  | 8P0 615 231 |  |
|                |               | VOLKSWAGEN | GOLF V (03-)            | 1,9 TDI 4motion |  | 08.2004 |  | 8P0 615 231 |  |
|                |               | VOLKSWAGEN | GOLF V (03-)            | 1,4 TSI         |  | 11.2005 |  | 8P0 615 231 |  |
|                |               | VOLKSWAGEN | GOLF V (03-)            | 1,6 16V         |  | 01.2004 |  | 8P0 615 231 |  |
|                |               | VOLKSWAGEN | GOLF V (03-)            | 1,6 FSI         |  | 10.2003 |  | 8P0 615 231 |  |
|                |               | VOLKSWAGEN | GOLF V (03-)            | 1,9 TDI         |  | 10.2003 |  | 8P0 615 231 |  |
|                |               | VOLKSWAGEN | GOLF V (03-)            | 2,0 FSI         |  | 10.2003 |  | 8P0 615 231 |  |



|  |  |  |  |  |                        |  |                                   |
|--|--|--|--|--|------------------------|--|-----------------------------------|
|  |  |  |  |  | OE numbers per ATE pn. |  | e.g. replaced pn. / miscellaneous |
|--|--|--|--|--|------------------------|--|-----------------------------------|



## SBH - Brake pads rear

|                |               |            |                     |                    |         |             |  |
|----------------|---------------|------------|---------------------|--------------------|---------|-------------|--|
| 13.0460-0035.2 | <b>610035</b> | VOLKSWAGEN | GOLF V (03-)        | 2,0 FSI 4motion    | 08.2004 | 8P0 615 231 |  |
|                |               | VOLKSWAGEN | GOLF V (03-)        | 2,0 GTI            | 09.2004 | 8P0 615 231 |  |
|                |               | VOLKSWAGEN | GOLF V (03-)        |                    | 09.2006 | 8P0 615 231 |  |
|                |               | VOLKSWAGEN | GOLF V (03-)        | 2,0 SDI            | 01.2004 | 8P0 615 231 |  |
|                |               | VOLKSWAGEN | GOLF V (03-)        | 2,0 TDI            | 10.2003 | 8P0 615 231 |  |
|                |               | VOLKSWAGEN | GOLF V (03-)        | 2,0 TDI 4motion    | 08.2004 | 8P0 615 231 |  |
|                |               | VOLKSWAGEN | GOLF V (03-)        | 3,2 R32            | 11.2005 | 8P0 615 231 |  |
|                |               | VOLKSWAGEN | GOLF V (03-)        | 1,4 16V            | 10.2003 | 8P0 615 231 |  |
|                |               | VOLKSWAGEN | GOLF V (03-)        | 1,9 TDI            | 05.2004 | 8P0 615 231 |  |
|                |               | VOLKSWAGEN | GOLF V (03-)        | 1,4 TSI            | 05.2006 | 8P0 615 231 |  |
|                |               | VOLKSWAGEN | PASSAT Saloon (05-) | 2,0 FSI 4motion    | 03.2005 | 8P0 615 231 |  |
|                |               | VOLKSWAGEN | PASSAT Saloon (05-) | 3,6 R36            | 04.2007 | 8P0 615 231 |  |
|                |               | VOLKSWAGEN | PASSAT Saloon (05-) | 3,2 V6 FSI 4motion | 09.2005 | 8P0 615 231 |  |
|                |               | VOLKSWAGEN | PASSAT Saloon (05-) | 3,2 V6 FSI         | 11.2005 | 8P0 615 231 |  |
|                |               | VOLKSWAGEN | PASSAT Saloon (05-) | 2,0 TFSI           | 03.2005 | 8P0 615 231 |  |
|                |               | VOLKSWAGEN | PASSAT Saloon (05-) | 2,0 TDI 4motion    | 03.2005 | 8P0 615 231 |  |
|                |               | VOLKSWAGEN | PASSAT Saloon (05-) | 2,0 TDI            | 03.2005 | 8P0 615 231 |  |
|                |               | VOLKSWAGEN | PASSAT Saloon (05-) | 2,0 FSI            | 03.2005 | 8P0 615 231 |  |



|  |  |  |  |  |                        |  |                                   |
|--|--|--|--|--|------------------------|--|-----------------------------------|
|  |  |  |  |  | OE numbers per ATE pn. |  | e.g. replaced pn. / miscellaneous |
|--|--|--|--|--|------------------------|--|-----------------------------------|



## SBH - Brake pads rear

|                |               |            |                      |                    |         |             |  |
|----------------|---------------|------------|----------------------|--------------------|---------|-------------|--|
| 13.0460-0035.2 | <b>610035</b> | VOLKSWAGEN | PASSAT Saloon (05-)  | 1,9 TDI            | 03.2005 | 8P0 615 231 |  |
|                |               | VOLKSWAGEN | PASSAT Saloon (05-)  | 1,8 TSI            | 10.2007 | 8P0 615 231 |  |
|                |               | VOLKSWAGEN | PASSAT Saloon (05-)  | 1,6 FSI            | 03.2005 | 8P0 615 231 |  |
|                |               | VOLKSWAGEN | PASSAT Saloon (05-)  | 1,6                | 03.2005 | 8P0 615 231 |  |
|                |               | VOLKSWAGEN | PASSAT Saloon (05-)  | 2,0 TDI            | 08.2005 | 8P0 615 231 |  |
|                |               | VOLKSWAGEN | PASSAT Variant (05-) | 1,6 FSI            | 07.2005 | 8P0 615 231 |  |
|                |               | VOLKSWAGEN | PASSAT Variant (05-) | 3,2 V6 FSI 4motion | 11.2005 | 8P0 615 231 |  |
|                |               | VOLKSWAGEN | PASSAT Variant (05-) | 3,2 V6 FSI         | 11.2005 | 8P0 615 231 |  |
|                |               | VOLKSWAGEN | PASSAT Variant (05-) | 2,0 TFSI           | 07.2005 | 8P0 615 231 |  |
|                |               | VOLKSWAGEN | PASSAT Variant (05-) | 2,0 TDI 4motion    | 09.2005 | 8P0 615 231 |  |
|                |               | VOLKSWAGEN | PASSAT Variant (05-) | 2,0 TDI            | 07.2005 | 8P0 615 231 |  |
|                |               | VOLKSWAGEN | PASSAT Variant (05-) | 2,0 FSI 4motion    | 09.2005 | 8P0 615 231 |  |
|                |               | VOLKSWAGEN | PASSAT Variant (05-) | 2,0 FSI            | 07.2005 | 8P0 615 231 |  |
|                |               | VOLKSWAGEN | PASSAT Variant (05-) | 1,9 TDI            | 07.2005 | 8P0 615 231 |  |
|                |               | VOLKSWAGEN | PASSAT Variant (05-) | 1,6 i 16V          | 07.2005 | 8P0 615 231 |  |
|                |               | VOLKSWAGEN | PASSAT Variant (05-) | 3,6 R36            | 04.2007 | 8P0 615 231 |  |
|                |               | AUDI       | TT Coupe (06-)       | 3,2 Quattro        | 07.2006 | 8P0 615 231 |  |
|                |               | AUDI       | TT Roadster (07-)    |                    | 02.2007 | 8P0 615 231 |  |



|  |  |  |  |  |                           |  |
|--|--|--|--|--|---------------------------|--|
|  |  |  |  |  | OE numbers per<br>ATE pn. | <br>e.g. replaced pn. /<br>miscellaneous |
|--|--|--|--|--|---------------------------|--|



## SBV - Brake pads front

|                |               |      |                                       |          |    |         |         |                      |             |
|----------------|---------------|------|---------------------------------------|----------|----|---------|---------|----------------------|-------------|
| 13.0460-3841.2 | <b>603841</b> | OPEL | CORSA D / Vauxhall Corsa MK III (06-) | 1,7 CDTI |    | 10.2006 |         | 16 05 355 , 93189822 | see drawing |
| 24.8190-0248.2 | <b>620248</b> | BMW  | 5 series/E61 Touring (04-)            | M5       | FR | 02.2007 |         | 34 35 2 282 935      |             |
|                |               | BMW  | 6 series/E63 Coupe (04-)              | M6       | FR | 06.2005 |         | 34 35 2 282 935      |             |
|                |               | BMW  | 6 series/E64 Convertible (04-)        |          | FR | 07.2006 |         | 34 35 2 282 935      |             |
| 24.8190-0251.2 | <b>620251</b> | BMW  | 3 series/E90 Saloon (05-)             | 320 i    |    | 09.2007 |         | 34 35 6 779 619      |             |
|                |               | BMW  | 3 series/E90 Saloon (05-)             | 330 i    |    | 12.2004 | 08.2007 | 34 35 6 779 619      |             |
|                |               | BMW  | 3 series/E90 Saloon (05-)             | 325 i    |    | 12.2004 |         | 34 35 6 779 619      |             |
|                |               | BMW  | 3 series/E90 Saloon (05-)             |          |    | 12.2004 | 08.2007 | 34 35 6 779 619      |             |
|                |               | BMW  | 3 series/E90 Saloon (05-)             | 320 i    |    | 03.2007 | 08.2007 | 34 35 6 779 619      |             |
|                |               | BMW  | 3 series/E90 Saloon (05-)             | 320 d    |    | 12.2004 | 08.2007 | 34 35 6 779 619      |             |
|                |               | BMW  | 3 series/E90 Saloon (05-)             |          |    | 09.2007 |         | 34 35 6 779 619      |             |
|                |               | BMW  | 3 series/E90 Saloon (05-)             | 325 i    |    | 09.2007 |         | 34 35 6 779 619      |             |
|                |               | BMW  | 3 series/E90 Saloon (05-)             | 330 d    |    | 09.2005 | 08.2007 | 34 35 6 779 619      |             |
|                |               | BMW  | 3 series/E91 Touring (05-)            | 325 i    |    | 03.2007 |         | 34 35 6 779 619      |             |
|                |               | BMW  | 3 series/E91 Touring (05-)            | 320 i    |    | 09.2007 |         | 34 35 6 779 619      |             |
|                |               | BMW  | 3 series/E91 Touring (05-)            | 335 xi   |    | 03.2007 |         | 34 35 6 779 619      |             |
|                |               | BMW  | 3 series/E91 Touring (05-)            | 330 i    |    | 09.2007 |         | 34 35 6 779 619      |             |
|                |               | BMW  | 3 series/E91 Touring (05-)            | 325 i    |    | 09.2007 |         | 34 35 6 779 619      |             |





|  |  |  |  |  |                        |  |                                   |
|--|--|--|--|--|------------------------|--|-----------------------------------|
|  |  |  |  |  | OE numbers per ATE pn. |  | e.g. replaced pn. / miscellaneous |
|--|--|--|--|--|------------------------|--|-----------------------------------|



## SBV - Brake pads front

|                |               |     |                                |        |  |         |         |                 |  |
|----------------|---------------|-----|--------------------------------|--------|--|---------|---------|-----------------|--|
| 24.8190-0251.2 | <b>620251</b> | BMW | 3 series/E91 Touring (05-)     | 325 d  |  | 09.2006 |         | 34 35 6 779 619 |  |
|                |               | BMW | 3 series/E91 Touring (05-)     | 320 i  |  | 06.2005 | 08.2007 | 34 35 6 779 619 |  |
|                |               | BMW | 3 series/E91 Touring (05-)     | 320 d  |  | 09.2007 |         | 34 35 6 779 619 |  |
|                |               | BMW | 3 series/E91 Touring (05-)     | 318 i  |  | 03.2007 | 08.2007 | 34 35 6 779 619 |  |
|                |               | BMW | 3 series/E91 Touring (05-)     |        |  | 09.2007 |         | 34 35 6 779 619 |  |
|                |               | BMW | 3 series/E91 Touring (05-)     | 318 d  |  | 09.2007 |         | 34 35 6 779 619 |  |
|                |               | BMW | 3 series/E91 Touring (05-)     | 330 d  |  | 09.2007 |         | 34 35 6 779 619 |  |
|                |               | BMW | 3 series/E92 Coupe (06-)       | 320 d  |  | 03.2007 |         | 34 35 6 779 619 |  |
|                |               | BMW | 3 series/E92 Coupe (06-)       | 325 i  |  | 09.2007 |         | 34 35 6 779 619 |  |
|                |               | BMW | 3 series/E92 Coupe (06-)       | 325 xi |  | 09.2007 |         | 34 35 6 779 619 |  |
|                |               | BMW | 3 series/E93 Convertible (07-) | 320 d  |  | 03.2008 |         | 34 35 6 779 619 |  |
|                |               | BMW | 3 series/E93 Convertible (07-) | 320 i  |  | 03.2007 | 02.2008 | 34 35 6 779 619 |  |
|                |               | BMW | 3 series/E93 Convertible (07-) | 325 i  |  | 03.2007 |         | 34 35 6 779 619 |  |
| 24.8190-0254.2 | <b>620254</b> | BMW | X3 (03-)                       | 3,0 sd |  | 09.2006 |         | 34 35 3 414 662 |  |



## SCH - Brake disc rear

|                |               |       |                 |          |  |         |         |               |                |
|----------------|---------------|-------|-----------------|----------|--|---------|---------|---------------|----------------|
| 24.0109-0151.1 | <b>409151</b> | HONDA | CR-V II (02-06) | 2,2 CTDi |  | 02.2005 | 09.2006 | 42510-SCA-E50 | 24.0110-0322.1 |
|----------------|---------------|-------|-----------------|----------|--|---------|---------|---------------|----------------|



|  |  |  |  |  |                        |  |                                   |
|--|--|--|--|--|------------------------|--|-----------------------------------|
|  |  |  |  |  | OE numbers per ATE pn. |  | e.g. replaced pn. / miscellaneous |
|--|--|--|--|--|------------------------|--|-----------------------------------|



## SCH - Brake disc rear

|                |               |       |                 |                      |  |         |         |   |                |
|----------------|---------------|-------|-----------------|----------------------|--|---------|---------|---|----------------|
| 24.0109-0151.1 | <b>409151</b> | HONDA | CR-V II (02-06) | 2,4 VTEC             |  | 03.2002 | 09.2006 | 42510-SCA-E50   | 24.0110-0322.1 |
|                |               | HONDA | CR-V II (02-06) | 2,0 i 16V            |  | 07.2002 | 09.2006 | 42510-SCA-E50   | 24.0110-0322.1 |
| 24.0110-0712.1 | <b>410712</b> | LEXUS | RX 300 (00-06)  | 3,0 i V6 4WD (MCU15) |  | 10.2000 | 04.2003 | 42431-48010 , 42431-48020 , 42431-33080 , 42431-33140 |                |



## SCV - Brake disc front

|                |               |           |                 |           |  |         |         |                                |  |
|----------------|---------------|-----------|-----------------|-----------|--|---------|---------|--------------------------------|--|
| 24.0124-0199.1 | <b>424199</b> | CHEVROLET | EPICA (06-)     | 2,5 i V6  |  | 06.2006 |         | 96549782 , 96264591 , 96328338 |  |
|                |               | CHEVROLET | EPICA (06-)     | 2,0 i V6  |  | 06.2006 |         | 96549782 , 96264591 , 96328338 |  |
|                |               | DAEWOO    | EVANDA (02-05)  | 2,0 i 16V |  | 08.2002 | 02.2005 | 96549782 , 96264591 , 96328338 |  |
|                |               | CHEVROLET | EVANDA (05-)    |           |  | 03.2005 |         | 96549782 , 96264591 , 96328338 |  |
|                |               | DAEWOO    | LACETTI (04-05) | 1,8 i 16V |  | 02.2004 | 02.2005 | 96549782 , 96264591 , 96328338 |  |
|                |               | DAEWOO    | LACETTI (04-05) | 1,4 i 16V |  | 02.2004 | 02.2005 | 96549782 , 96264591 , 96328338 |  |
|                |               | DAEWOO    | LACETTI (04-05) | 1,6 i 16V |  | 02.2004 | 02.2005 | 96549782 , 96264591 , 96328338 |  |
|                |               | CHEVROLET | LACETTI (05-)   | 1,4 i 16V |  | 03.2005 |         | 96549782 , 96264591 , 96328338 |  |



|  |  |  |  |  |                        |  |                                   |
|--|--|--|--|--|------------------------|--|-----------------------------------|
|  |  |  |  |  | OE numbers per ATE pn. |  | e.g. replaced pn. / miscellaneous |
|--|--|--|--|--|------------------------|--|-----------------------------------|



## SCV - Brake disc front

|                |               |           |                      |               |    |         |         |                                |  |
|----------------|---------------|-----------|----------------------|---------------|----|---------|---------|--------------------------------|--|
| 24.0124-0199.1 | <b>424199</b> | CHEVROLET | LACETTI (05-)        | 1,6 i 16V     |    | 03.2005 |         | 96549782 , 96264591 , 96328338 |  |
|                |               | CHEVROLET | LACETTI (05-)        | 1,8 i 16V     |    | 03.2005 |         | 96549782 , 96264591 , 96328338 |  |
|                |               | DAEWOO    | MAGNUS (99-)         | 2             |    | 07.1999 |         | 96549782 , 96264591 , 96328338 |  |
|                |               | DAEWOO    | REZZO (00-05)        | 2,0 i 16V     |    | 09.2000 | 02.2005 | 96549782 , 96264591 , 96328338 |  |
|                |               | DAEWOO    | REZZO (00-05)        | 1,6 i 16V     |    | 09.2000 | 02.2005 | 96549782 , 96264591 , 96328338 |  |
|                |               | DAEWOO    | REZZO (00-05)        | 1,8 i         |    | 09.2000 | 02.2005 | 96549782 , 96264591 , 96328338 |  |
|                |               | CHEVROLET | REZZO (05-)          | 2,0 i 16V     |    | 03.2005 |         | 96549782 , 96264591 , 96328338 |  |
|                |               | CHEVROLET | REZZO (05-)          | 1,6 i         |    | 03.2005 |         | 96549782 , 96264591 , 96328338 |  |
|                |               | DAEWOO    | TACUMA (00-05)       | 1,6 i 16V     |    | 09.2000 | 02.2005 | 96549782 , 96264591 , 96328338 |  |
|                |               | DAEWOO    | TACUMA (00-05)       | 2,0 i 16V     |    | 09.2000 | 02.2005 | 96549782 , 96264591 , 96328338 |  |
|                |               | DAEWOO    | TACUMA (00-05)       | 1,8 i         |    | 09.2000 | 02.2005 | 96549782 , 96264591 , 96328338 |  |
| 24.0128-0198.1 | <b>428198</b> | BMW       | 3 series/E36 (91-00) | M3 3,0        | FL | 06.1994 | 08.1995 | 34 11 2 227 171                |  |
|                |               | BMW       | 3 series/E36 (91-00) | M3 Cabrio 3,0 | FL | 11.1993 | 08.1995 | 34 11 2 227 171                |  |



|  |  |  |  |  |                        |  |                                   |
|--|--|--|--|--|------------------------|--|-----------------------------------|
|  |  |  |  |  | OE numbers per ATE pn. |  | e.g. replaced pn. / miscellaneous |
|--|--|--|--|--|------------------------|--|-----------------------------------|



## SCV - Brake disc front

|                |               |     |                      |               |    |         |         |                 |  |
|----------------|---------------|-----|----------------------|---------------|----|---------|---------|-----------------|--|
| 24.0128-0198.1 | <b>428198</b> | BMW | 3 series/E36 (91-00) | M3 Coupe 3,0  | FL | 03.1992 | 08.1995 | 34 11 2 227 171 |  |
| 24.0128-0199.1 | <b>428199</b> | BMW | 3 series/E36 (91-00) |               | FR | 03.1992 | 08.1995 | 34 11 2 227 172 |  |
|                |               | BMW | 3 series/E36 (91-00) | M3 3,0        | FR | 06.1994 | 08.1995 | 34 11 2 227 172 |  |
|                |               | BMW | 3 series/E36 (91-00) | M3 Cabrio 3,0 | FR | 11.1993 | 08.1995 | 34 11 2 227 172 |  |



## TRH - Brake drums rear

|                |               |      |                                       |           |  |         |         |                                |  |
|----------------|---------------|------|---------------------------------------|-----------|--|---------|---------|--------------------------------|--|
| 24.0220-3035.1 | <b>480300</b> | OPEL | CORSA D / Vauxhall Corsa MK III (06-) | 1,0 i     |  | 10.2006 |         | 55703042 , 55701379 , 5 68 269 |  |
|                |               | OPEL | CORSA D / Vauxhall Corsa MK III (06-) | 1,2 i 16V |  | 10.2006 |         | 55703042 , 55701379 , 5 68 269 |  |
|                |               | FIAT | GRANDE PUNTO (06-)                    | 1,2 i     |  | 10.2005 | 06.2007 | 55703042 , 55701379 , 5 68 269 |  |
| 24.0222-8037.1 | <b>480302</b> | OPEL | CORSA D / Vauxhall Corsa MK III (06-) | 1,4 i 16V |  | 10.2006 |         | 55703043 , 55701380 , 5 68 270 |  |
|                |               | OPEL | CORSA D / Vauxhall Corsa MK III (06-) | 1,2 i 16V |  | 10.2006 |         | 55703043 , 55701380 , 5 68 270 |  |
|                |               | OPEL | CORSA D / Vauxhall Corsa MK III (06-) | 1,0 i     |  | 10.2006 |         | 55703043 , 55701380 , 5 68 270 |  |
|                |               | OPEL | CORSA D / Vauxhall Corsa MK III (06-) | 1,3 CDTI  |  | 10.2006 |         | 55703043 , 55701380 , 5 68 270 |  |
|                |               | FIAT | GRANDE PUNTO (06-)                    | 1,4 i 16V |  | 02.2006 |         | 55703043 , 55701380 , 5 68 270 |  |



|  |  |  |  |  |                        |                                       |
|--|--|--|--|--|------------------------|---------------------------------------|
|  |  |  |  |  | OE numbers per ATE pn. | <br>e.g. replaced pn. / miscellaneous |
|--|--|--|--|--|------------------------|---------------------------------------|



## TRH - Brake drums rear

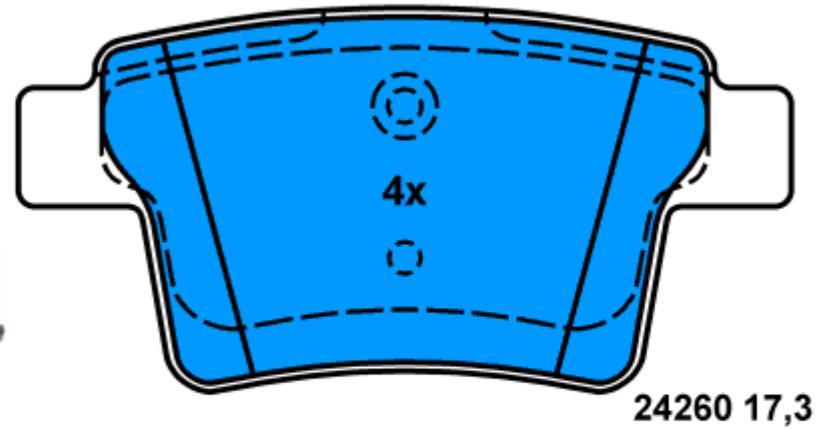
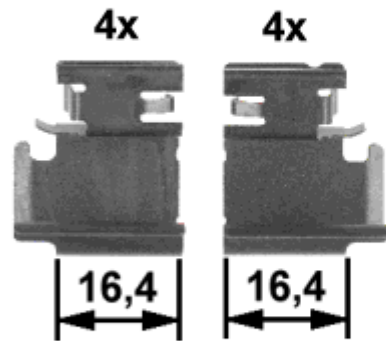
|                |        |        |                    |                   |  |         |         |                                |  |
|----------------|--------|--------|--------------------|-------------------|--|---------|---------|--------------------------------|--|
| 24.0222-8037.1 | 480302 | FIAT   | GRANDE PUNTO (06-) | 1,4 i             |  | 10.2005 |         | 55703043 , 55701380 , 5 68 270 |  |
|                |        | FIAT   | GRANDE PUNTO (06-) | 1,3 JTD           |  | 10.2005 |         | 55703043 , 55701380 , 5 68 270 |  |
| 24.0227-0004.1 | 480303 | TOYOTA | HIACE (95-)        | 2,7 (RCH13/23)    |  | 04.1998 |         | 42431-26180 , 42431-26181      |  |
|                |        | TOYOTA | HIACE (95-)        | 2,4 TD (LXH12/22) |  | 05.1998 | 08.2001 | 42431-26180 , 42431-26181      |  |
|                |        | TOYOTA | HIACE (95-)        | 2,4 D (LXH12/18)  |  | 05.1998 | 08.2001 | 42431-26180 , 42431-26181      |  |
|                |        | TOYOTA | HIACE (95-)        | 3,0 D (RCH13)     |  | 08.2001 | 10.2003 | 42431-26180 , 42431-26181      |  |



13.0460-3831.2 603831

**Applications:**

FORD MONDEO III (01-06)





13.0460-3841.2 603841

**Applications:**

OPEL CORSA D / Vauxhall Corsa MK III (06-)

