

New partnumbers on stock
according to applications



10/2009



www.ate.de

New partnumbers on stock - according to applications

10/2009



					Description	OE numbers per ATE pn.	
							e.g. replaced pn. / miscellaneous

ALFA ROMEO

MI.TO (08-)	1,3 JTDM	FR	08.2008		24.3571-1758.5	240412	FIST CALIPER	9949351 , 77364656	
	1,4 i 16V Turbo	FR	08.2008		24.3571-1758.5	240412	FIST CALIPER	9949351 , 77364656	
	1,6 JTD	FR	08.2008		24.3571-1758.5	240412	FIST CALIPER	9949351 , 77364656	

AUDI

TT Coupe (06-)	1,8 TFSI		06.2008		03.2123-3549.3	010809	TANDEM MASTER CYL.	8J1 611 021 D	
	2,0 Quattro		05.2008		03.2123-3549.3	010809	TANDEM MASTER CYL.	8J1 611 021 D	
	2,0 TDI Quattro		06.2008		03.2123-3549.3	010809	TANDEM MASTER CYL.	8J1 611 021 D	
	2,0 TFSI				03.2123-3549.3	010809	TANDEM MASTER CYL.	8J1 611 021 D	
	2,0 TFSI Quattro		05.2008		03.2123-3549.3	010809	TANDEM MASTER CYL.	8J1 611 021 D	
TT Roadster (07-)	1,8 TFSI		06.2008		03.2123-3549.3	010809	TANDEM MASTER CYL.	8J1 611 021 D	
	2,0 Quattro		05.2008		03.2123-3549.3	010809	TANDEM MASTER CYL.	8J1 611 021 D	
	2,0 TDI Quattro		06.2008		03.2123-3549.3	010809	TANDEM MASTER CYL.	8J1 611 021 D	
	2,0 TFSI				03.2123-3549.3	010809	TANDEM MASTER CYL.	8J1 611 021 D	
	2,0 TFSI Quattro		05.2008		03.2123-3549.3	010809	TANDEM MASTER CYL.	8J1 611 021 D	

New partnumbers on stock - according to applications

10/2009



	i				Description	OE numbers per ATE pn.	i e.g. replaced pn. / miscellaneous
--	----------	--	--	--	--------------------	-------------------------------	---

BMW

3 series/E46 (98-06)	316 i	RR	12.1998	02.2005	24.3401-1706.5	240424	FIST CALIPER	34 21 1 165 032 , 34 21 6 758 128	11.9401-9940.2
		RL	12.1998	02.2005	24.3401-1705.5	240423	FIST CALIPER	34 21 1 165 031 , 34 21 6 758 127	11.9401-9939.2
	316 i 1,9	RL	12.1998	02.2005	24.3401-1705.5	240423	FIST CALIPER	34 21 1 165 031 , 34 21 6 758 127	11.9401-9939.2
		RR	12.1998	02.2005	24.3401-1706.5	240424	FIST CALIPER	34 21 1 165 032 , 34 21 6 758 128	11.9401-9940.2
	316 i Coupe	RL	04.2000	08.2006	24.3401-1705.5	240423	FIST CALIPER	34 21 1 165 031 , 34 21 6 758 127	11.9401-9939.2
		RR	04.2000	08.2006	24.3401-1706.5	240424	FIST CALIPER	34 21 1 165 032 , 34 21 6 758 128	11.9401-9940.2
	316 ti Compact	RL	07.2001	02.2005	24.3401-1705.5	240423	FIST CALIPER	34 21 1 165 031 , 34 21 6 758 127	11.9401-9939.2
		RR	07.2001	02.2005	24.3401-1706.5	240424	FIST CALIPER	34 21 1 165 032 , 34 21 6 758 128	11.9401-9940.2
	318 i	RR	04.1998	02.2005	24.3401-1706.5	240424	FIST CALIPER	34 21 1 165 032 , 34 21 6 758 128	11.9401-9940.2
		RL	04.1998	02.2005	24.3401-1705.5	240423	FIST CALIPER	34 21 1 165 031 , 34 21 6 758 127	11.9401-9939.2
	318 i Coupe	RR	08.1999	08.2006	24.3401-1706.5	240424	FIST CALIPER	34 21 1 165 032 , 34 21 6 758 128	11.9401-9940.2
		RL	08.1999	08.2006	24.3401-1705.5	240423	FIST CALIPER	34 21 1 165 031 , 34 21 6 758 127	11.9401-9939.2
Z4 Roadster/E85 (03-08)	2,0 i	RR	04.2005	12.2008	24.3401-1706.5	240424	FIST CALIPER	34 21 1 165 032 , 34 21 6 758 128	11.9401-9940.2

New partnumbers on stock - according to applications

10/2009



					Description	OE numbers per ATE pn.		e.g. replaced pn. / miscellaneous
--	--	--	--	--	-------------	------------------------	--	-----------------------------------

BMW

Z4 Roadster/E85 (03-08)	2,0 i	RL	04.2005	12.2008	24.3401-1705.5	240423	FIST CALIPER	34 21 1 165 031 , 34 21 6 758 127	11.9401-9939.2
	2,2 i	RL	10.2003	12.2008	24.3401-1705.5	240423	FIST CALIPER	34 21 1 165 031 , 34 21 6 758 127	11.9401-9939.2
		RR	10.2003	12.2008	24.3401-1706.5	240424	FIST CALIPER	34 21 1 165 032 , 34 21 6 758 128	11.9401-9940.2
	2,5 i	RL	12.2002	12.2008	24.3401-1705.5	240423	FIST CALIPER	34 21 1 165 031 , 34 21 6 758 127	11.9401-9939.2
		RL	01.2006	12.2008	24.3401-1705.5	240423	FIST CALIPER	34 21 1 165 031 , 34 21 6 758 127	11.9401-9939.2
		RR	01.2006	12.2008	24.3401-1706.5	240424	FIST CALIPER	34 21 1 165 032 , 34 21 6 758 128	11.9401-9940.2
		RR	12.2002	12.2008	24.3401-1706.5	240424	FIST CALIPER	34 21 1 165 032 , 34 21 6 758 128	11.9401-9940.2

CHEVROLET

MATIZ (05-)	0,8		03.2005		24.5284-0220.3	330970	BRAKE HOSE	96320284	
	1		03.2005		24.5284-0220.3	330970	BRAKE HOSE	96320284	




CITROEN

C-CROSSER (07-)	2,2 HDi		02.2007		03.0137-3015.2	653015	BRAKE SHOE SET	4241 N6 , 4800A001	
	2,4		08.2008		03.0137-3015.2	653015	BRAKE SHOE SET	4241 N6 , 4800A001	

New partnumbers on stock - according to applications

10/2009



	i			Description	OE numbers per ATE pn.	i e.g. replaced pn. / miscellaneous
---	----------	--	---	--------------------	-------------------------------	---

DAEWOO

MATIZ (98-05)	0,8 (KLA4)		07.1998	02.2005	24.5284-0220.3	330970	BRAKE HOSE	96320284	
	1,0 (KLA0)		01.2003	02.2005	24.5284-0220.3	330970	BRAKE HOSE	96320284	

New partnumbers on stock - according to applications

10/2009



					Description	OE numbers per ATE pn.		e.g. replaced pn. / miscellaneous
--	--	--	--	--	-------------	------------------------	--	-----------------------------------

FIAT

BRAVO (07-)	1,4 i 16V Turbo	FR	07.2007		24.3571-1758.5	240412	FIST CALIPER	9949351 , 77364656	
	1,9 JTD 16V	FR	03.2007		24.3571-1758.5	240412	FIST CALIPER	9949351 , 77364656	
	2,0 JTD	FR	09.2008		24.3571-1758.5	240412	FIST CALIPER	9949351 , 77364656	
DOBLO (01-)	1,2 i.e,	RL	01.2001		24.3727-0560.2	580560	HANDBRAKE CABLE	46745157	
		RL	01.2001		24.3727-0561.2	580561	HANDBRAKE CABLE	46766309	
	1,3 JTD	RL	05.2004		24.3727-0560.2	580560	HANDBRAKE CABLE	46745157	
		RL	05.2004		24.3727-0561.2	580561	HANDBRAKE CABLE	46766309	
	1,6 i 16V	RL	10.2001		24.3727-0560.2	580560	HANDBRAKE CABLE	46745157	
		RL	10.2001		24.3727-0561.2	580561	HANDBRAKE CABLE	46766309	
	1,9 D	RL	01.2001		24.3727-0561.2	580561	HANDBRAKE CABLE	46766309	
		RL	01.2001		24.3727-0560.2	580560	HANDBRAKE CABLE	46745157	
	1,9 JTD	RL	07.2003		24.3727-0561.2	580561	HANDBRAKE CABLE	46766309	
		RL	07.2003		24.3727-0560.2	580560	HANDBRAKE CABLE	46745157	
		RL	10.2001		24.3727-0561.2	580561	HANDBRAKE CABLE	46766309	
		RL	10.2001		24.3727-0560.2	580560	HANDBRAKE CABLE	46745157	
STILO (01-08)		FR	01.2004	03.2008	24.3571-1758.5	240412	FIST CALIPER	9949351 , 77364656	
	2,4 i 20V	FR	10.2001	03.2008	24.3571-1758.5	240412	FIST CALIPER	9949351 , 77364656	

New partnumbers on stock - according to applications

10/2009



	i				Description	OE numbers per ATE pn.	i e.g. replaced pn. / miscellaneous
--	----------	--	--	--	-------------	------------------------	---

HYUNDAI

ACCENT (05-)	1,4 i 16V		10.2005		03.0137-0495.2	650495	BRAKE SHOE SET	58305-1GA00	
	1,5 CRDi		10.2005		03.0137-0495.2	650495	BRAKE SHOE SET	58305-1GA00	

KIA

PRIDE (05-)	1,4 i 16V		03.2005		03.0137-0495.2	650495	BRAKE SHOE SET	58305-1GA00	
	1,5 CRDi		03.2005		03.0137-0495.2	650495	BRAKE SHOE SET	58305-1GA00	
	1,6 i 16V		03.2005		03.0137-0495.2	650495	BRAKE SHOE SET	58305-1GA00	
RIO II (05-)	1,4 i 16V		03.2005		03.0137-0495.2	650495	BRAKE SHOE SET	58305-1GA00	
	1,5 CRDi		03.2005		03.0137-0495.2	650495	BRAKE SHOE SET	58305-1GA00	
	1,6 i 16V		03.2005		03.0137-0495.2	650495	BRAKE SHOE SET	58305-1GA00	

LANCIA

DELTA (08-)	1,4 i 16V Turbo	FR	08.2008		24.3571-1758.5	240412	FIST CALIPER	9949351 , 77364656	
-------------	-----------------	----	---------	--	----------------	--------	--------------	--------------------	--

New partnumbers on stock - according to applications

10/2009



					Description	OE numbers per ATE pn.		e.g. replaced pn. / miscellaneous
--	--	--	--	--	-------------	------------------------	--	-----------------------------------

MERCEDES BENZ

C-Class (S202) Estate (96-01)	C 180		06.1996	04.2001	13.8190-0330.1	990134	LOCK SCREW	124 421 01 71 , 124 421 05 71	13.8190-0307.1
	C 200		06.1996	04.2001	13.8190-0330.1	990134	LOCK SCREW	124 421 01 71 , 124 421 05 71	13.8190-0307.1
	C 200 CDI		03.1998	04.2001	13.8190-0330.1	990134	LOCK SCREW	124 421 01 71 , 124 421 05 71	13.8190-0307.1
	C 200 D		07.1996	04.2001	13.8190-0330.1	990134	LOCK SCREW	124 421 01 71 , 124 421 05 71	13.8190-0307.1
	C 200 Kompressor		11.1996	04.2001	13.8190-0330.1	990134	LOCK SCREW	124 421 01 71 , 124 421 05 71	13.8190-0307.1
	C 220 CDI		09.1997	04.2001	13.8190-0330.1	990134	LOCK SCREW	124 421 01 71 , 124 421 05 71	13.8190-0307.1
	C 220 D		06.1996	04.2001	13.8190-0330.1	990134	LOCK SCREW	124 421 01 71 , 124 421 05 71	13.8190-0307.1
	C 230		06.1996	06.1997	13.8190-0330.1	990134	LOCK SCREW	124 421 01 71 , 124 421 05 71	13.8190-0307.1
	C 230 Kompressor		06.1997	04.2001	13.8190-0330.1	990134	LOCK SCREW	124 421 01 71 , 124 421 05 71	13.8190-0307.1
	C 240		06.1997	04.2001	13.8190-0330.1	990134	LOCK SCREW	124 421 01 71 , 124 421 05 71	13.8190-0307.1
	C 250 TD		06.1996	04.2001	13.8190-0330.1	990134	LOCK SCREW	124 421 01 71 , 124 421 05 71	13.8190-0307.1
	C 280		06.1997	04.2001	13.8190-0330.1	990134	LOCK SCREW	124 421 01 71 , 124 421 05 71	13.8190-0307.1
C-Class (S204) Estate (07-)	C 200 Kompressor		09.2007		24.0128-0155.1	428155	BRAKE DISC	204 421 07 12	
	C 220 CDI		09.2007		24.0128-0155.1	428155	BRAKE DISC	204 421 07 12	

New partnumbers on stock - according to applications

10/2009



					Description	OE numbers per ATE pn.	 e.g. replaced pn. / miscellaneous
---	---	---	---	---	-------------	------------------------	--

MERCEDES BENZ

C-Class (S204) Estate (07-)	C 230		09.2007		24.0128-0155.1	428155	BRAKE DISC	204 421 07 12	
	C 250 CDI		04.2009		24.0128-0155.1	428155	BRAKE DISC	204 421 07 12	
	C 250 CGI		04.2009		24.0128-0155.1	428155	BRAKE DISC	204 421 07 12	
	C 280		09.2007		24.0128-0155.1	428155	BRAKE DISC	204 421 07 12	
	C 320 CDI		09.2007		24.0132-0101.1	432101	BRAKE DISC	204 421 08 12	
	C 320 CDI 4-Matic		09.2007		24.0132-0101.1	432101	BRAKE DISC	204 421 08 12	
	C 350		09.2007		24.0132-0101.1	432101	BRAKE DISC	204 421 08 12	
C-Class (W202) Saloon (93-00)	C 180		06.1993	05.2000	13.8190-0330.1	990134	LOCK SCREW	124 421 01 71 , 124 421 05 71	13.8190-0307.1
	C 200		01.1994	05.2000	13.8190-0330.1	990134	LOCK SCREW	124 421 01 71 , 124 421 05 71	13.8190-0307.1
	C 200 CDI		03.1998	05.2000	13.8190-0330.1	990134	LOCK SCREW	124 421 01 71 , 124 421 05 71	13.8190-0307.1
	C 200 D		06.1993	05.2000	13.8190-0330.1	990134	LOCK SCREW	124 421 01 71 , 124 421 05 71	13.8190-0307.1
	C 200 Kompressor		10.1995	05.2000	13.8190-0330.1	990134	LOCK SCREW	124 421 01 71 , 124 421 05 71	13.8190-0307.1
	C 220		06.1993	08.1996	13.8190-0330.1	990134	LOCK SCREW	124 421 01 71 , 124 421 05 71	13.8190-0307.1
	C 220 CDI		09.1997	05.2000	13.8190-0330.1	990134	LOCK SCREW	124 421 01 71 , 124 421 05 71	13.8190-0307.1
	C 220 D		06.1993	05.2000	13.8190-0330.1	990134	LOCK SCREW	124 421 01 71 , 124 421 05 71	13.8190-0307.1

New partnumbers on stock - according to applications

10/2009



					Description	OE numbers per ATE pn.		e.g. replaced pn. / miscellaneous
--	--	--	--	--	-------------	------------------------	--	-----------------------------------

MERCEDES BENZ

C-Class (W202) Saloon (93-00)	C 230		07.1996	06.1997	13.8190-0330.1	990134	LOCK SCREW	124 421 01 71 , 124 421 05 71	13.8190-0307.1
	C 230 Kompressor		09.1995	05.2000	13.8190-0330.1	990134	LOCK SCREW	124 421 01 71 , 124 421 05 71	13.8190-0307.1
	C 240		06.1997	05.2000	13.8190-0330.1	990134	LOCK SCREW	124 421 01 71 , 124 421 05 71	13.8190-0307.1
	C 250 D		06.1993	08.1995	13.8190-0330.1	990134	LOCK SCREW	124 421 01 71 , 124 421 05 71	13.8190-0307.1
	C 250 TD		09.1995	05.2000	13.8190-0330.1	990134	LOCK SCREW	124 421 01 71 , 124 421 05 71	13.8190-0307.1
	C 280			05.2000	13.8190-0330.1	990134	LOCK SCREW	124 421 01 71 , 124 421 05 71	13.8190-0307.1
			06.1993		13.8190-0330.1	990134	LOCK SCREW	124 421 01 71 , 124 421 05 71	13.8190-0307.1
	C 36 AMG		05.1994		13.8190-0330.1	990134	LOCK SCREW	124 421 01 71 , 124 421 05 71	13.8190-0307.1
				08.1997	13.8190-0330.1	990134	LOCK SCREW	124 421 01 71 , 124 421 05 71	13.8190-0307.1
	C 43 AMG		09.1997	05.2000	13.8190-0330.1	990134	LOCK SCREW	124 421 01 71 , 124 421 05 71	13.8190-0307.1
C-Class (W204) Saloon (07-)	C 200 Kompressor		03.2007		24.0128-0155.1	428155	BRAKE DISC	204 421 07 12	
	C 220 CDI		03.2007		24.0128-0155.1	428155	BRAKE DISC	204 421 07 12	
	C 230		03.2007		24.0128-0155.1	428155	BRAKE DISC	204 421 07 12	
	C 230 4-Matic		07.2007		24.0128-0155.1	428155	BRAKE DISC	204 421 07 12	
	C 250 CDI		10.2008		24.0128-0155.1	428155	BRAKE DISC	204 421 07 12	

New partnumbers on stock - according to applications

10/2009



					Description	OE numbers per ATE pn.		e.g. replaced pn. / miscellaneous
--	--	--	--	--	-------------	------------------------	--	-----------------------------------

MERCEDES BENZ

C-Class (W204) Saloon (07-)	C 250 CGI		04.2009		24.0128-0155.1	428155	BRAKE DISC	204 421 07 12	
	C 280		03.2007		24.0128-0155.1	428155	BRAKE DISC	204 421 07 12	
	C 280 4-Matic		07.2007		24.0128-0155.1	428155	BRAKE DISC	204 421 07 12	
	C 320 CDI		03.2007		24.0132-0101.1	432101	BRAKE DISC	204 421 08 12	
	C 350		03.2007		24.0132-0101.1	432101	BRAKE DISC	204 421 08 12	
	C 350 CDI		04.2009		24.0132-0101.1	432101	BRAKE DISC	204 421 08 12	
	C 350 CGI		09.2008		24.0132-0101.1	432101	BRAKE DISC	204 421 08 12	
CLK-Class (A208) Convertible (98-03)	CLK 200		06.1998	06.2003	13.8190-0330.1	990134	LOCK SCREW	124 421 01 71 , 124 421 05 71	13.8190-0307.1
	CLK 200 Kompressor		06.1998	06.2003	13.8190-0330.1	990134	LOCK SCREW	124 421 01 71 , 124 421 05 71	13.8190-0307.1
	CLK 230 Kompressor		06.1998	06.2003	13.8190-0330.1	990134	LOCK SCREW	124 421 01 71 , 124 421 05 71	13.8190-0307.1
	CLK 320		06.1998	06.2003	13.8190-0330.1	990134	LOCK SCREW	124 421 01 71 , 124 421 05 71	13.8190-0307.1
	CLK 430		06.1999	06.2003	13.8190-0330.1	990134	LOCK SCREW	124 421 01 71 , 124 421 05 71	13.8190-0307.1
	CLK 55 AMG		01.2000	06.2003	13.8190-0330.1	990134	LOCK SCREW	124 421 01 71 , 124 421 05 71	13.8190-0307.1
CLK-Class (C208) Coupe (97-02)	CLK 200		06.1997	06.2002	13.8190-0330.1	990134	LOCK SCREW	124 421 01 71 , 124 421 05 71	13.8190-0307.1
	CLK 200 Kompressor		06.1997	06.2002	13.8190-0330.1	990134	LOCK SCREW	124 421 01 71 , 124 421 05 71	13.8190-0307.1

New partnumbers on stock - according to applications

10/2009



					Description	OE numbers per ATE pn.		e.g. replaced pn. / miscellaneous
--	--	--	--	--	-------------	------------------------	--	-----------------------------------

MERCEDES BENZ

CLK-Class (C208) Coupe (97-02)	CLK 230 Kompressor		06.1997	06.2002	13.8190-0330.1	990134	LOCK SCREW	124 421 01 71 , 124 421 05 71	13.8190-0307.1
	CLK 320		06.1997	06.2002	13.8190-0330.1	990134	LOCK SCREW	124 421 01 71 , 124 421 05 71	13.8190-0307.1
	CLK 430			06.2002	13.8190-0330.1	990134	LOCK SCREW	124 421 01 71 , 124 421 05 71	13.8190-0307.1
			03.1998		13.8190-0330.1	990134	LOCK SCREW	124 421 01 71 , 124 421 05 71	13.8190-0307.1
			03.1998	06.2002	13.8190-0330.1	990134	LOCK SCREW	124 421 01 71 , 124 421 05 71	13.8190-0307.1
	CLK 55 AMG		08.1999	06.2002	13.8190-0330.1	990134	LOCK SCREW	124 421 01 71 , 124 421 05 71	13.8190-0307.1
CL-Class (C215) Coupe (99-06)	CL 500		03.1999	08.2006	13.8190-0330.1	990134	LOCK SCREW	124 421 01 71 , 124 421 05 71	13.8190-0307.1
	CL 55 AMG		10.1999	08.2006	13.8190-0330.1	990134	LOCK SCREW	124 421 01 71 , 124 421 05 71	13.8190-0307.1
	CL 600		03.1999	08.2006	13.8190-0330.1	990134	LOCK SCREW	124 421 01 71 , 124 421 05 71	13.8190-0307.1
CL-Class (C216) Coupe (06-)	CL 500		07.2006		03.4055-0013.3	010793	TANDEM MASTER CYL.	006 430 08 01 , 221 430 00 01 , 221 430 03 01	
	CL 500 4 Matic		03.2008		03.4055-0013.3	010793	TANDEM MASTER CYL.	006 430 08 01 , 221 430 00 01 , 221 430 03 01	
	CL 600		07.2006		03.4055-0013.3	010793	TANDEM MASTER CYL.	006 430 08 01 , 221 430 00 01 , 221 430 03 01	
	CL 63 AMG		01.2007		03.4055-0013.3	010793	TANDEM MASTER CYL.	006 430 08 01 , 221 430 00 01 , 221 430 03 01	

New partnumbers on stock - according to applications

10/2009



	i				Description	OE numbers per ATE pn.	i e.g. replaced pn. / miscellaneous
--	----------	--	--	--	--------------------	-------------------------------	---

MERCEDES BENZ

CL-Class (C216) Coupe (06-)	CL 65 AMG		01.2007		03.4055-0013.3	010793	TANDEM MASTER CYL.	006 430 08 01 , 221 430 00 01 , 221 430 03 01	
CLS-Class (C219) Coupe (04-)	CLS 280		10.2007		13.8190-0330.1	990134	LOCK SCREW	124 421 01 71 , 124 421 05 71	13.8190-0307.1
			10.2007		13.8190-0330.1	990134	LOCK SCREW	124 421 01 71 , 124 421 05 71	13.8190-0307.1
	CLS 320 CDI		05.2005		13.8190-0330.1	990134	LOCK SCREW	124 421 01 71 , 124 421 05 71	13.8190-0307.1
			05.2005		13.8190-0330.1	990134	LOCK SCREW	124 421 01 71 , 124 421 05 71	13.8190-0307.1
	CLS 350		08.2004		13.8190-0330.1	990134	LOCK SCREW	124 421 01 71 , 124 421 05 71	13.8190-0307.1
			08.2004		13.8190-0330.1	990134	LOCK SCREW	124 421 01 71 , 124 421 05 71	13.8190-0307.1
	CLS 350 CDI		04.2009		13.8190-0330.1	990134	LOCK SCREW	124 421 01 71 , 124 421 05 71	13.8190-0307.1
			04.2009		13.8190-0330.1	990134	LOCK SCREW	124 421 01 71 , 124 421 05 71	13.8190-0307.1
	CLS 350 CGI		04.2006		13.8190-0330.1	990134	LOCK SCREW	124 421 01 71 , 124 421 05 71	13.8190-0307.1
			04.2006		13.8190-0330.1	990134	LOCK SCREW	124 421 01 71 , 124 421 05 71	13.8190-0307.1
	CLS 500		08.2004		13.8190-0330.1	990134	LOCK SCREW	124 421 01 71 , 124 421 05 71	13.8190-0307.1
			08.2004		13.8190-0330.1	990134	LOCK SCREW	124 421 01 71 , 124 421 05 71	13.8190-0307.1

New partnumbers on stock - according to applications

10/2009



					Description	OE numbers per ATE pn.		e.g. replaced pn. / miscellaneous
--	--	--	--	--	-------------	------------------------	--	-----------------------------------

MERCEDES BENZ

CLS-Class (C219) Coupe (04-)	CLS 55 AMG		01.2005		13.8190-0330.1	990134	LOCK SCREW	124 421 01 71 , 124 421 05 71	13.8190-0307.1
E-Klasse (C207) Coupe (09-)	E 200 CGI		09.2009		24.0128-0155.1	428155	BRAKE DISC	204 421 07 12	
	E 220 CDI		05.2009		24.0128-0155.1	428155	BRAKE DISC	204 421 07 12	
	E 250 CDI		05.2009		24.0132-0101.1	432101	BRAKE DISC	204 421 08 12	
	E 250 CGI		05.2009		24.0128-0155.1	428155	BRAKE DISC	204 421 07 12	
	E 350		09.2009		24.0132-0101.1	432101	BRAKE DISC	204 421 08 12	
	E 350 CDI		05.2009		24.0132-0101.1	432101	BRAKE DISC	204 421 08 12	
	E 350 CGI		05.2009		24.0132-0101.1	432101	BRAKE DISC	204 421 08 12	
E-Class (S210) Estate (96-03)	E 200		05.1996	04.2003	13.8190-0330.1	990134	LOCK SCREW	124 421 01 71 , 124 421 05 71	13.8190-0307.1
	E 200 Kompressor		08.2000	04.2003	13.8190-0330.1	990134	LOCK SCREW	124 421 01 71 , 124 421 05 71	13.8190-0307.1
			09.1997	04.2003	13.8190-0330.1	990134	LOCK SCREW	124 421 01 71 , 124 421 05 71	13.8190-0307.1
	E 220 CDI		07.1998	04.2003	13.8190-0330.1	990134	LOCK SCREW	124 421 01 71 , 124 421 05 71	13.8190-0307.1
	E 230		05.1996	08.1997	13.8190-0330.1	990134	LOCK SCREW	124 421 01 71 , 124 421 05 71	13.8190-0307.1
	E 240		09.1997	04.2003	13.8190-0330.1	990134	LOCK SCREW	124 421 01 71 , 124 421 05 71	13.8190-0307.1
	E 250 D		05.1996	04.2003	13.8190-0330.1	990134	LOCK SCREW	124 421 01 71 , 124 421 05 71	13.8190-0307.1

New partnumbers on stock - according to applications

10/2009



					Description	OE numbers per ATE pn.		e.g. replaced pn. / miscellaneous
--	--	--	--	--	-------------	------------------------	--	-----------------------------------

MERCEDES BENZ

E-Class (S210) Estate (96-03)	E 250 TD		09.1997	04.2003	13.8190-0330.1	990134	LOCK SCREW	124 421 01 71 , 124 421 05 71	13.8190-0307.1
	E 270 CDI		07.1999	04.2003	13.8190-0330.1	990134	LOCK SCREW	124 421 01 71 , 124 421 05 71	13.8190-0307.1
	E 280		10.1996	04.2003	13.8190-0330.1	990134	LOCK SCREW	124 421 01 71 , 124 421 05 71	13.8190-0307.1
	E 280 4-Matic		10.1996	04.2003	13.8190-0330.1	990134	LOCK SCREW	124 421 01 71 , 124 421 05 71	13.8190-0307.1
	E 290 TD		05.1996	04.2003	13.8190-0330.1	990134	LOCK SCREW	124 421 01 71 , 124 421 05 71	13.8190-0307.1
	E 300 TD		10.1996	04.2003	13.8190-0330.1	990134	LOCK SCREW	124 421 01 71 , 124 421 05 71	13.8190-0307.1
	E 320		10.1996	04.2003	13.8190-0330.1	990134	LOCK SCREW	124 421 01 71 , 124 421 05 71	13.8190-0307.1
	E 320 4-Matic		06.1997	04.2003	13.8190-0330.1	990134	LOCK SCREW	124 421 01 71 , 124 421 05 71	13.8190-0307.1
	E 320 CDI		07.1999	04.2003	13.8190-0330.1	990134	LOCK SCREW	124 421 01 71 , 124 421 05 71	13.8190-0307.1
	E 420		05.1996	08.1997	13.8190-0330.1	990134	LOCK SCREW	124 421 01 71 , 124 421 05 71	13.8190-0307.1
	E 430		09.1997	04.2003	13.8190-0330.1	990134	LOCK SCREW	124 421 01 71 , 124 421 05 71	13.8190-0307.1
	E 430 4-Matic		05.1999	04.2003	13.8190-0330.1	990134	LOCK SCREW	124 421 01 71 , 124 421 05 71	13.8190-0307.1
E-Class (S211) Estate (03-)	E 200 CDI		04.2006		13.8190-0330.1	990134	LOCK SCREW	124 421 01 71 , 124 421 05 71	13.8190-0307.1

New partnumbers on stock - according to applications

10/2009



					Description	OE numbers per ATE pn.	 e.g. replaced pn. / miscellaneous
---	---	---	---	---	-------------	------------------------	--

MERCEDES BENZ

E-Class (S211) Estate (03-)	E 200 CDI		04.2006		13.8190-0330.1	990134	LOCK SCREW	124 421 01 71 , 124 421 05 71	13.8190-0307.1
	E 200 Kompressor		03.2003		13.8190-0330.1	990134	LOCK SCREW	124 421 01 71 , 124 421 05 71	13.8190-0307.1
			03.2003		13.8190-0330.1	990134	LOCK SCREW	124 421 01 71 , 124 421 05 71	13.8190-0307.1
	E 220 CDI		03.2003		13.8190-0330.1	990134	LOCK SCREW	124 421 01 71 , 124 421 05 71	13.8190-0307.1
			03.2003		13.8190-0330.1	990134	LOCK SCREW	124 421 01 71 , 124 421 05 71	13.8190-0307.1
	E 230		05.2007		13.8190-0330.1	990134	LOCK SCREW	124 421 01 71 , 124 421 05 71	13.8190-0307.1
			05.2007		13.8190-0330.1	990134	LOCK SCREW	124 421 01 71 , 124 421 05 71	13.8190-0307.1
	E 240		03.2003		13.8190-0330.1	990134	LOCK SCREW	124 421 01 71 , 124 421 05 71	13.8190-0307.1
			03.2003		13.8190-0330.1	990134	LOCK SCREW	124 421 01 71 , 124 421 05 71	13.8190-0307.1
	E 240 4-Matic		07.2003		13.8190-0330.1	990134	LOCK SCREW	124 421 01 71 , 124 421 05 71	13.8190-0307.1
			07.2003		13.8190-0330.1	990134	LOCK SCREW	124 421 01 71 , 124 421 05 71	13.8190-0307.1
	E 270 CDI		03.2003		13.8190-0330.1	990134	LOCK SCREW	124 421 01 71 , 124 421 05 71	13.8190-0307.1
			03.2003		13.8190-0330.1	990134	LOCK SCREW	124 421 01 71 , 124 421 05 71	13.8190-0307.1

New partnumbers on stock - according to applications

10/2009



					Description	OE numbers per ATE pn.	 e.g. replaced pn. / miscellaneous
---	---	---	---	---	-------------	------------------------	--

MERCEDES BENZ

E-Class (S211) Estate (03-)	E 280		05.2005		13.8190-0330.1	990134	LOCK SCREW	124 421 01 71 , 124 421 05 71	13.8190-0307.1
			05.2005		13.8190-0330.1	990134	LOCK SCREW	124 421 01 71 , 124 421 05 71	13.8190-0307.1
	E 280 4-Matic		05.2005		13.8190-0330.1	990134	LOCK SCREW	124 421 01 71 , 124 421 05 71	13.8190-0307.1
			05.2005		13.8190-0330.1	990134	LOCK SCREW	124 421 01 71 , 124 421 05 71	13.8190-0307.1
	E 280 CDI		05.2004		13.8190-0330.1	990134	LOCK SCREW	124 421 01 71 , 124 421 05 71	13.8190-0307.1
			05.2004		13.8190-0330.1	990134	LOCK SCREW	124 421 01 71 , 124 421 05 71	13.8190-0307.1
	E 280 CDI 4-Matic		05.2005		13.8190-0330.1	990134	LOCK SCREW	124 421 01 71 , 124 421 05 71	13.8190-0307.1
			05.2005		13.8190-0330.1	990134	LOCK SCREW	124 421 01 71 , 124 421 05 71	13.8190-0307.1
	E 320		03.2003		13.8190-0330.1	990134	LOCK SCREW	124 421 01 71 , 124 421 05 71	13.8190-0307.1
			03.2003		13.8190-0330.1	990134	LOCK SCREW	124 421 01 71 , 124 421 05 71	13.8190-0307.1
	E 320 4-Matic		07.2003		13.8190-0330.1	990134	LOCK SCREW	124 421 01 71 , 124 421 05 71	13.8190-0307.1
			07.2003		13.8190-0330.1	990134	LOCK SCREW	124 421 01 71 , 124 421 05 71	13.8190-0307.1
	E 320 CDI		03.2003		13.8190-0330.1	990134	LOCK SCREW	124 421 01 71 , 124 421 05 71	13.8190-0307.1

New partnumbers on stock - according to applications

10/2009



					Description	OE numbers per ATE pn.	 e.g. replaced pn. / miscellaneous
---	---	---	---	---	-------------	------------------------	--

MERCEDES BENZ

E-Class (S211) Estate (03-)	E 320 CDI		03.2003		13.8190-0330.1	990134	LOCK SCREW	124 421 01 71 , 124 421 05 71	13.8190-0307.1
	E 320 CDI 4-Matic		05.2005		13.8190-0330.1	990134	LOCK SCREW	124 421 01 71 , 124 421 05 71	13.8190-0307.1
			05.2005		13.8190-0330.1	990134	LOCK SCREW	124 421 01 71 , 124 421 05 71	13.8190-0307.1
	E 350		12.2004	E	13.8190-0330.1	990134	LOCK SCREW	124 421 01 71 , 124 421 05 71	13.8190-0307.1
			12.2004		13.8190-0330.1	990134	LOCK SCREW	124 421 01 71 , 124 421 05 71	13.8190-0307.1
	E 350 4-Matic		12.2004		13.8190-0330.1	990134	LOCK SCREW	124 421 01 71 , 124 421 05 71	13.8190-0307.1
			12.2004		13.8190-0330.1	990134	LOCK SCREW	124 421 01 71 , 124 421 05 71	13.8190-0307.1
	E 350 CGI		05.2006		13.8190-0330.1	990134	LOCK SCREW	124 421 01 71 , 124 421 05 71	13.8190-0307.1
			05.2006		13.8190-0330.1	990134	LOCK SCREW	124 421 01 71 , 124 421 05 71	13.8190-0307.1
	E 500		10.2003	E	13.8190-0330.1	990134	LOCK SCREW	124 421 01 71 , 124 421 05 71	13.8190-0307.1
			10.2003		13.8190-0330.1	990134	LOCK SCREW	124 421 01 71 , 124 421 05 71	13.8190-0307.1
	E 500 4-Matic		10.2003	E	13.8190-0330.1	990134	LOCK SCREW	124 421 01 71 , 124 421 05 71	13.8190-0307.1
			10.2003		13.8190-0330.1	990134	LOCK SCREW	124 421 01 71 , 124 421 05 71	13.8190-0307.1

New partnumbers on stock - according to applications

10/2009



					Description	OE numbers per ATE pn.	 e.g. replaced pn. / miscellaneous
---	---	---	---	---	--------------------	-------------------------------	--

MERCEDES BENZ

E-Class (W124) (85-93)	260 E 4-Matic		05.1985	08.1991	13.8190-0330.1	990134	LOCK SCREW	124 421 01 71 , 124 421 05 71	13.8190-0307.1
	300 D 4-Matic		12.1986	08.1991	13.8190-0330.1	990134	LOCK SCREW	124 421 01 71 , 124 421 05 71	13.8190-0307.1
	300 D Turbo 4-Matic		09.1987	06.1993	13.8190-0330.1	990134	LOCK SCREW	124 421 01 71 , 124 421 05 71	13.8190-0307.1
	300 E 4-Matic		11.1986	06.1993	13.8190-0330.1	990134	LOCK SCREW	124 421 01 71 , 124 421 05 71	13.8190-0307.1
	300 TD Turbo 4-Matic		03.1987	06.1993	13.8190-0330.1	990134	LOCK SCREW	124 421 01 71 , 124 421 05 71	13.8190-0307.1
	300 TE 4-Matic		11.1986	06.1993	13.8190-0330.1	990134	LOCK SCREW	124 421 01 71 , 124 421 05 71	13.8190-0307.1
E-Class (W124) (93-97)	E 300 4-Matic		07.1993	05.1996	13.8190-0330.1	990134	LOCK SCREW	124 421 01 71 , 124 421 05 71	13.8190-0307.1
	E 300 TD 4-Matic		07.1993	05.1996	13.8190-0330.1	990134	LOCK SCREW	124 421 01 71 , 124 421 05 71	13.8190-0307.1
E-Class (W210) Saloon (95-02)	E 200		06.1995	04.2002	13.8190-0330.1	990134	LOCK SCREW	124 421 01 71 , 124 421 05 71	13.8190-0307.1
	E 200 CDI		07.1998	04.2002	13.8190-0330.1	990134	LOCK SCREW	124 421 01 71 , 124 421 05 71	13.8190-0307.1
	E 200 D		10.1996	04.2002	13.8190-0330.1	990134	LOCK SCREW	124 421 01 71 , 124 421 05 71	13.8190-0307.1
	E 200 Kompressor		09.1997	04.2002	13.8190-0330.1	990134	LOCK SCREW	124 421 01 71 , 124 421 05 71	13.8190-0307.1
			08.2000	04.2002	13.8190-0330.1	990134	LOCK SCREW	124 421 01 71 , 124 421 05 71	13.8190-0307.1

New partnumbers on stock - according to applications

10/2009



					Description	OE numbers per ATE pn.	 e.g. replaced pn. / miscellaneous
---	---	---	---	---	-------------	------------------------	--

MERCEDES BENZ

E-Class (W210) Saloon (95-02)	E 220 CDI		07.1998	04.2002	13.8190-0330.1	990134	LOCK SCREW	124 421 01 71 , 124 421 05 71	13.8190-0307.1
	E 220 D		06.1995	06.1998	13.8190-0330.1	990134	LOCK SCREW	124 421 01 71 , 124 421 05 71	13.8190-0307.1
	E 230		06.1995	08.1997	13.8190-0330.1	990134	LOCK SCREW	124 421 01 71 , 124 421 05 71	13.8190-0307.1
	E 240		09.1997	04.2002	13.8190-0330.1	990134	LOCK SCREW	124 421 01 71 , 124 421 05 71	13.8190-0307.1
	E 250 D		06.1995	04.2002	13.8190-0330.1	990134	LOCK SCREW	124 421 01 71 , 124 421 05 71	13.8190-0307.1
	E 250 TD		09.1997	04.2002	13.8190-0330.1	990134	LOCK SCREW	124 421 01 71 , 124 421 05 71	13.8190-0307.1
	E 270 CDI		07.1999	04.2002	13.8190-0330.1	990134	LOCK SCREW	124 421 01 71 , 124 421 05 71	13.8190-0307.1
	E 280		01.1996	04.2002	13.8190-0330.1	990134	LOCK SCREW	124 421 01 71 , 124 421 05 71	13.8190-0307.1
	E 280 4-Matic		10.1996	04.2002	13.8190-0330.1	990134	LOCK SCREW	124 421 01 71 , 124 421 05 71	13.8190-0307.1
	E 290 TD		01.1996	04.2002	13.8190-0330.1	990134	LOCK SCREW	124 421 01 71 , 124 421 05 71	13.8190-0307.1
	E 300 D		06.1995	04.2002	13.8190-0330.1	990134	LOCK SCREW	124 421 01 71 , 124 421 05 71	13.8190-0307.1
	E 300 TD		10.1996	04.2002	13.8190-0330.1	990134	LOCK SCREW	124 421 01 71 , 124 421 05 71	13.8190-0307.1
	E 320		06.1995	04.2002	13.8190-0330.1	990134	LOCK SCREW	124 421 01 71 , 124 421 05 71	13.8190-0307.1

New partnumbers on stock - according to applications

10/2009



					Description	OE numbers per ATE pn.	 e.g. replaced pn. / miscellaneous
---	---	---	---	---	-------------	------------------------	--

MERCEDES BENZ

E-Class (W210) Saloon (95-02)	E 320 4-Matic		06.1997	04.2002	13.8190-0330.1	990134	LOCK SCREW	124 421 01 71 , 124 421 05 71	13.8190-0307.1
	E 320 CDI		07.1999	04.2002	13.8190-0330.1	990134	LOCK SCREW	124 421 01 71 , 124 421 05 71	13.8190-0307.1
	E 420		01.1996	08.1997	13.8190-0330.1	990134	LOCK SCREW	124 421 01 71 , 124 421 05 71	13.8190-0307.1
	E 430		09.1997	04.2002	13.8190-0330.1	990134	LOCK SCREW	124 421 01 71 , 124 421 05 71	13.8190-0307.1
	E 430 4-Matic		05.1999	04.2002	13.8190-0330.1	990134	LOCK SCREW	124 421 01 71 , 124 421 05 71	13.8190-0307.1
E-Klasse (W211) Limousine (02-09)	E 200 CDI		05.2002	03.2009	13.8190-0330.1	990134	LOCK SCREW	124 421 01 71 , 124 421 05 71	13.8190-0307.1
			05.2002	03.2009	13.8190-0330.1	990134	LOCK SCREW	124 421 01 71 , 124 421 05 71	13.8190-0307.1
	E 200 Kompressor		05.2002	03.2009	13.8190-0330.1	990134	LOCK SCREW	124 421 01 71 , 124 421 05 71	13.8190-0307.1
			05.2002	03.2009	13.8190-0330.1	990134	LOCK SCREW	124 421 01 71 , 124 421 05 71	13.8190-0307.1
	E 220 CDI		03.2002	03.2009	13.8190-0330.1	990134	LOCK SCREW	124 421 01 71 , 124 421 05 71	13.8190-0307.1
			03.2002	03.2009	13.8190-0330.1	990134	LOCK SCREW	124 421 01 71 , 124 421 05 71	13.8190-0307.1
	E 230		04.2006	03.2009	13.8190-0330.1	990134	LOCK SCREW	124 421 01 71 , 124 421 05 71	13.8190-0307.1
			04.2006	03.2009	13.8190-0330.1	990134	LOCK SCREW	124 421 01 71 , 124 421 05 71	13.8190-0307.1

New partnumbers on stock - according to applications

10/2009



					Description	OE numbers per ATE pn.		e.g. replaced pn. / miscellaneous
--	--	--	--	--	-------------	------------------------	--	-----------------------------------

MERCEDES BENZ

E-Klasse (W211) Limousine (02-09)	E 240		03.2002	03.2009	13.8190-0330.1	990134	LOCK SCREW	124 421 01 71 , 124 421 05 71	13.8190-0307.1
			03.2002	03.2009	13.8190-0330.1	990134	LOCK SCREW	124 421 01 71 , 124 421 05 71	13.8190-0307.1
	E 240 4-Matic		03.2003	03.2009	13.8190-0330.1	990134	LOCK SCREW	124 421 01 71 , 124 421 05 71	13.8190-0307.1
			03.2003	03.2009	13.8190-0330.1	990134	LOCK SCREW	124 421 01 71 , 124 421 05 71	13.8190-0307.1
	E 270 CDI		03.2002	03.2009	13.8190-0330.1	990134	LOCK SCREW	124 421 01 71 , 124 421 05 71	13.8190-0307.1
			03.2002	03.2009	13.8190-0330.1	990134	LOCK SCREW	124 421 01 71 , 124 421 05 71	13.8190-0307.1
	E 280		05.2005	03.2009	13.8190-0330.1	990134	LOCK SCREW	124 421 01 71 , 124 421 05 71	13.8190-0307.1
			05.2005	03.2009	13.8190-0330.1	990134	LOCK SCREW	124 421 01 71 , 124 421 05 71	13.8190-0307.1
	E 280 4-Matic		05.2005	03.2009	13.8190-0330.1	990134	LOCK SCREW	124 421 01 71 , 124 421 05 71	13.8190-0307.1
			05.2005	03.2009	13.8190-0330.1	990134	LOCK SCREW	124 421 01 71 , 124 421 05 71	13.8190-0307.1
	E 280 CDI		05.2004	03.2009	13.8190-0330.1	990134	LOCK SCREW	124 421 01 71 , 124 421 05 71	13.8190-0307.1
			05.2004	03.2009	13.8190-0330.1	990134	LOCK SCREW	124 421 01 71 , 124 421 05 71	13.8190-0307.1
	E 280 CDI 4-Matic		05.2005	03.2009	13.8190-0330.1	990134	LOCK SCREW	124 421 01 71 , 124 421 05 71	13.8190-0307.1

New partnumbers on stock - according to applications

10/2009



	i				Description	OE numbers per ATE pn.	i e.g. replaced pn. / miscellaneous
--	----------	--	--	--	--------------------	-------------------------------	---

MERCEDES BENZ

E-Klasse (W211) Limousine (02-09)	E 280 CDI 4-Matic		05.2005	03.2009	13.8190-0330.1	990134	LOCK SCREW	124 421 01 71 , 124 421 05 71	13.8190-0307.1
	E 300 Bluetec		09.2007	03.2009	13.8190-0330.1	990134	LOCK SCREW	124 421 01 71 , 124 421 05 71	13.8190-0307.1
			09.2007	03.2009	13.8190-0330.1	990134	LOCK SCREW	124 421 01 71 , 124 421 05 71	13.8190-0307.1
	E 320		03.2002	03.2009	13.8190-0330.1	990134	LOCK SCREW	124 421 01 71 , 124 421 05 71	13.8190-0307.1
			03.2002		13.8190-0330.1	990134	LOCK SCREW	124 421 01 71 , 124 421 05 71	13.8190-0307.1
				03.2009	13.8190-0330.1	990134	LOCK SCREW	124 421 01 71 , 124 421 05 71	13.8190-0307.1
			03.2002	03.2009	13.8190-0330.1	990134	LOCK SCREW	124 421 01 71 , 124 421 05 71	13.8190-0307.1
	E 320 4-Matic		03.2003	03.2009	13.8190-0330.1	990134	LOCK SCREW	124 421 01 71 , 124 421 05 71	13.8190-0307.1
			03.2003	03.2009	13.8190-0330.1	990134	LOCK SCREW	124 421 01 71 , 124 421 05 71	13.8190-0307.1
	E 320 CDI		11.2002		13.8190-0330.1	990134	LOCK SCREW	124 421 01 71 , 124 421 05 71	13.8190-0307.1
				03.2009	13.8190-0330.1	990134	LOCK SCREW	124 421 01 71 , 124 421 05 71	13.8190-0307.1
			11.2002	03.2009	13.8190-0330.1	990134	LOCK SCREW	124 421 01 71 , 124 421 05 71	13.8190-0307.1
			11.2002	03.2009	13.8190-0330.1	990134	LOCK SCREW	124 421 01 71 , 124 421 05 71	13.8190-0307.1

New partnumbers on stock - according to applications

10/2009



					Description	OE numbers per ATE pn.	 e.g. replaced pn. / miscellaneous
---	---	---	---	---	-------------	------------------------	--

MERCEDES BENZ

E-Klasse (W211) Limousine (02-09)	E 320 CDI 4-Matic		05.2005	03.2009	13.8190-0330.1	990134	LOCK SCREW	124 421 01 71 , 124 421 05 71	13.8190-0307.1
			05.2005	03.2009	13.8190-0330.1	990134	LOCK SCREW	124 421 01 71 , 124 421 05 71	13.8190-0307.1
	E 350		12.2004		13.8190-0330.1	990134	LOCK SCREW	124 421 01 71 , 124 421 05 71	13.8190-0307.1
				03.2009	13.8190-0330.1	990134	LOCK SCREW	124 421 01 71 , 124 421 05 71	13.8190-0307.1
			12.2004	03.2009	13.8190-0330.1	990134	LOCK SCREW	124 421 01 71 , 124 421 05 71	13.8190-0307.1
			12.2004	03.2009	13.8190-0330.1	990134	LOCK SCREW	124 421 01 71 , 124 421 05 71	13.8190-0307.1
	E 350 4-Matic		12.2004	03.2009	13.8190-0330.1	990134	LOCK SCREW	124 421 01 71 , 124 421 05 71	13.8190-0307.1
			12.2004	03.2009	13.8190-0330.1	990134	LOCK SCREW	124 421 01 71 , 124 421 05 71	13.8190-0307.1
	E 350 CGI		09.2007	03.2009	13.8190-0330.1	990134	LOCK SCREW	124 421 01 71 , 124 421 05 71	13.8190-0307.1
			09.2007	03.2009	13.8190-0330.1	990134	LOCK SCREW	124 421 01 71 , 124 421 05 71	13.8190-0307.1
	E 400 CDI		03.2003	03.2009	13.8190-0330.1	990134	LOCK SCREW	124 421 01 71 , 124 421 05 71	13.8190-0307.1
			03.2003	03.2009	13.8190-0330.1	990134	LOCK SCREW	124 421 01 71 , 124 421 05 71	13.8190-0307.1
	E 500		03.2002	03.2009	13.8190-0330.1	990134	LOCK SCREW	124 421 01 71 , 124 421 05 71	13.8190-0307.1

New partnumbers on stock - according to applications

10/2009



					Description	OE numbers per ATE pn.	 e.g. replaced pn. / miscellaneous
---	---	---	---	---	-------------	------------------------	--

MERCEDES BENZ

E-Klasse (W211) Limousine (02-09)	E 500		03.2002	03.2009	13.8190-0330.1	990134	LOCK SCREW	124 421 01 71 , 124 421 05 71	13.8190-0307.1
	E 500 4-Matic		10.2003	03.2009	13.8190-0330.1	990134	LOCK SCREW	124 421 01 71 , 124 421 05 71	13.8190-0307.1
			10.2003	03.2009	13.8190-0330.1	990134	LOCK SCREW	124 421 01 71 , 124 421 05 71	13.8190-0307.1
E-Klasse (W212) Limousine (09-)	E 200		03.2009		24.0128-0155.1	428155	BRAKE DISC	204 421 07 12	
	E 200 CDI		03.2009		24.0128-0155.1	428155	BRAKE DISC	204 421 07 12	
	E 220 CDI		03.2009		24.0128-0155.1	428155	BRAKE DISC	204 421 07 12	
	E 250		03.2009		24.0128-0155.1	428155	BRAKE DISC	204 421 07 12	
	E 250 CDI		03.2009		24.0128-0155.1	428155	BRAKE DISC	204 421 07 12	
	E 300		03.2009		24.0132-0101.1	432101	BRAKE DISC	204 421 08 12	
	E 350		03.2009		24.0132-0101.1	432101	BRAKE DISC	204 421 08 12	
	E 350 4-Matic		03.2009		24.0132-0101.1	432101	BRAKE DISC	204 421 08 12	
	E 350 Bluetec		03.2009		24.0132-0101.1	432101	BRAKE DISC	204 421 08 12	
	E 350 CDI		03.2009		24.0132-0101.1	432101	BRAKE DISC	204 421 08 12	
	E 350 CDI 4-Matic		03.2009		24.0132-0101.1	432101	BRAKE DISC	204 421 08 12	
	E 350 CGI		03.2009		24.0132-0101.1	432101	BRAKE DISC	204 421 08 12	
S-Class (W220) (98-06)	S 280		11.1998	03.2006	13.8190-0330.1	990134	LOCK SCREW	124 421 01 71 , 124 421 05 71	13.8190-0307.1
	S 320		11.1998	03.2006	13.8190-0330.1	990134	LOCK SCREW	124 421 01 71 , 124 421 05 71	13.8190-0307.1

New partnumbers on stock - according to applications

10/2009



					Description	OE numbers per ATE pn.		e.g. replaced pn. / miscellaneous
--	--	--	--	--	-------------	------------------------	--	-----------------------------------

MERCEDES BENZ

S-Class (W220) (98-06)	S 320 CDI		08.1999	03.2006	13.8190-0330.1	990134	LOCK SCREW	124 421 01 71 , 124 421 05 71	13.8190-0307.1
	S 350		09.2002	03.2006	13.8190-0330.1	990134	LOCK SCREW	124 421 01 71 , 124 421 05 71	13.8190-0307.1
	S 350 4-Matic		06.2003	03.2006	13.8190-0330.1	990134	LOCK SCREW	124 421 01 71 , 124 421 05 71	13.8190-0307.1
	S 370		08.2004	03.2006	13.8190-0330.1	990134	LOCK SCREW	124 421 01 71 , 124 421 05 71	13.8190-0307.1
	S 400 CDI		08.2000	03.2006	13.8190-0330.1	990134	LOCK SCREW	124 421 01 71 , 124 421 05 71	13.8190-0307.1
	S 430		11.1998	03.2006	13.8190-0330.1	990134	LOCK SCREW	124 421 01 71 , 124 421 05 71	13.8190-0307.1
	S 430 4-Matic		09.2002	03.2006	13.8190-0330.1	990134	LOCK SCREW	124 421 01 71 , 124 421 05 71	13.8190-0307.1
	S 500		11.1998	03.2006	13.8190-0330.1	990134	LOCK SCREW	124 421 01 71 , 124 421 05 71	13.8190-0307.1
	S 500 4-Matic		09.2002	03.2006	13.8190-0330.1	990134	LOCK SCREW	124 421 01 71 , 124 421 05 71	13.8190-0307.1
	S 55 AMG		04.1999	03.2006	13.8190-0330.1	990134	LOCK SCREW	124 421 01 71 , 124 421 05 71	13.8190-0307.1
	S 600		08.1999	03.2006	13.8190-0330.1	990134	LOCK SCREW	124 421 01 71 , 124 421 05 71	13.8190-0307.1
S-Class (W221) (06-)	S 280		04.2006		03.4055-0013.3	010793	TANDEM MASTER CYL.	006 430 08 01 , 221 430 00 01 , 221 430 03 01	
	S 320 CDI		12.2005		03.4055-0013.3	010793	TANDEM MASTER CYL.	006 430 08 01 , 221 430 00 01 , 221 430 03 01	

New partnumbers on stock - according to applications

10/2009



					Description	OE numbers per ATE pn.	 e.g. replaced pn. / miscellaneous
---	---	---	---	---	--------------------	-------------------------------	--

MERCEDES BENZ

S-Class (W221) (06-)	S 320 CDI 4-Matic		05.2006		03.4055-0013.3	010793	TANDEM MASTER CYL.	006 430 08 01 , 221 430 00 01 , 221 430 03 01	
	S 350		12.2005		03.4055-0013.3	010793	TANDEM MASTER CYL.	006 430 08 01 , 221 430 00 01 , 221 430 03 01	
	S 350 4-Matic		02.2007		03.4055-0013.3	010793	TANDEM MASTER CYL.	006 430 08 01 , 221 430 00 01 , 221 430 03 01	
	S 400 Hybrid		06.2009		03.4055-0013.3	010793	TANDEM MASTER CYL.	006 430 08 01 , 221 430 00 01 , 221 430 03 01	
	S 420 CDI		04.2006		03.4055-0013.3	010793	TANDEM MASTER CYL.	006 430 08 01 , 221 430 00 01 , 221 430 03 01	
	S 450		04.2006		03.4055-0013.3	010793	TANDEM MASTER CYL.	006 430 08 01 , 221 430 00 01 , 221 430 03 01	
	S 450 4-Matic		04.2006		03.4055-0013.3	010793	TANDEM MASTER CYL.	006 430 08 01 , 221 430 00 01 , 221 430 03 01	
	S 500		12.2005		03.4055-0013.3	010793	TANDEM MASTER CYL.	006 430 08 01 , 221 430 00 01 , 221 430 03 01	
	S 500 4-Matic		04.2006		03.4055-0013.3	010793	TANDEM MASTER CYL.	006 430 08 01 , 221 430 00 01 , 221 430 03 01	
	S 600		12.2005		03.4055-0013.3	010793	TANDEM MASTER CYL.	006 430 08 01 , 221 430 00 01 , 221 430 03 01	
	S 63 AMG		01.2007		03.4055-0013.3	010793	TANDEM MASTER CYL.	006 430 08 01 , 221 430 00 01 , 221 430 03 01	
	S 65 AMG		04.2006		03.4055-0013.3	010793	TANDEM MASTER CYL.	006 430 08 01 , 221 430 00 01 , 221 430 03 01	
SLK-Class (R170) (96-04)	SLK 200		09.1996	03.2004	13.8190-0330.1	990134	LOCK SCREW	124 421 01 71 , 124 421 05 71	13.8190-0307.1

New partnumbers on stock - according to applications

10/2009



	i				Description	OE numbers per ATE pn.	i e.g. replaced pn. / miscellaneous
--	----------	--	--	--	--------------------	-------------------------------	---





MERCEDES BENZ

SLK-Class (R170) (96-04)	SLK 200 Kompressor		09.1996	03.2004	13.8190-0330.1	990134	LOCK SCREW	124 421 01 71 , 124 421 05 71	13.8190-0307.1
	SLK 230 Kompressor		09.1996	03.2004	13.8190-0330.1	990134	LOCK SCREW	124 421 01 71 , 124 421 05 71	13.8190-0307.1
	SLK 32 AMG		03.2001	03.2004	13.8190-0330.1	990134	LOCK SCREW	124 421 01 71 , 124 421 05 71	13.8190-0307.1
	SLK 320		04.2000	03.2004	13.8190-0330.1	990134	LOCK SCREW	124 421 01 71 , 124 421 05 71	13.8190-0307.1
SLK-Class (R171) (04-)	SLK 55 AMG		03.2004		13.8190-0330.1	990134	LOCK SCREW	124 421 01 71 , 124 421 05 71	13.8190-0307.1
SL-Class (R230) (01-)	SL 350		02.2003		13.8190-0330.1	990134	LOCK SCREW	124 421 01 71 , 124 421 05 71	13.8190-0307.1
			02.2003		13.8190-0330.1	990134	LOCK SCREW	124 421 01 71 , 124 421 05 71	13.8190-0307.1
	SL 500		09.2001		13.8190-0330.1	990134	LOCK SCREW	124 421 01 71 , 124 421 05 71	13.8190-0307.1
			09.2001		13.8190-0330.1	990134	LOCK SCREW	124 421 01 71 , 124 421 05 71	13.8190-0307.1

New partnumbers on stock - according to applications

10/2009



	i				Description	OE numbers per ATE pn.	i e.g. replaced pn. / miscellaneous
---	----------	---	---	---	--------------------	-------------------------------	---

MITSUBISHI

Model	Engine	Start	End	ATE Part No.	ATE Part No.	Description	OE numbers	Notes
GRANDIS (04-)	2,0 DI-D (NA8W)	09.2005		03.0137-3015.2	653015	BRAKE SHOE SET	4241 N6 , 4800A001	
	2,4 i 16V (NA4W)	04.2004		03.0137-3015.2	653015	BRAKE SHOE SET	4241 N6 , 4800A001	
L 200 (96-06)	2,0 i (K62T)	06.1996	07.2001	24.0124-0207.1	424207	BRAKE DISC	MB950958	
	2,5 D (K64T)	06.1996	07.2001	24.0124-0207.1	424207	BRAKE DISC	MB950958	
	2,5 TD 4WD (K64T)	06.1996	07.2001	24.0124-0207.1	424207	BRAKE DISC	MB950958	
OUTLANDER (07-)	2,0 DI-D	01.2007		03.0137-3015.2	653015	BRAKE SHOE SET	4241 N6 , 4800A001	

New partnumbers on stock - according to applications

10/2009



					Description	OE numbers per ATE pn.		e.g. replaced pn. / miscellaneous
--	--	--	--	--	-------------	------------------------	--	-----------------------------------

NISSAN

ALMERA (N16) (00-06)	1,5 dCi	RR	01.2003	11.2006	24.5247-0310.3	330951	BRAKE HOSE	46210-BM500 , 46210-BN81B
	1,5 i	RR	02.2000	11.2006	24.5247-0310.3	330951	BRAKE HOSE	46210-BM500 , 46210-BN81B
		RR	10.2002	11.2006	24.5247-0310.3	330951	BRAKE HOSE	46210-BM500 , 46210-BN81B
MICRA (K12E) (03-)	1,0 i 16V		01.2003		24.5247-0281.3	330967	BRAKE HOSE	46214-AX600
	1,2 i 16V		01.2003		24.5247-0281.3	330967	BRAKE HOSE	46214-AX600
	1,4 i 16V		01.2003		24.5247-0281.3	330967	BRAKE HOSE	46214-AX600
	1,5 dCi		09.2003		24.5247-0281.3	330967	BRAKE HOSE	46214-AX600
			01.2003		24.5247-0281.3	330967	BRAKE HOSE	46214-AX600
	1,6 i 16V		05.2005		24.5247-0281.3	330967	BRAKE HOSE	46214-AX600
MICRA C+C (CK12E) (05-)	1,4 i 16V		08.2005		24.5247-0281.3	330967	BRAKE HOSE	46214-AX600
	1,6 i 16V		08.2005		24.5247-0281.3	330967	BRAKE HOSE	46214-AX600
NOTE (E11E) (06-)	1,4		03.2006		24.5247-0281.3	330967	BRAKE HOSE	46214-AX600
	1,5 dCi		07.2008		24.5247-0281.3	330967	BRAKE HOSE	46214-AX600
			03.2006		24.5247-0281.3	330967	BRAKE HOSE	46214-AX600
	1,6		03.2006		24.5247-0281.3	330967	BRAKE HOSE	46214-AX600

PEUGEOT

4007 (07-)	2,2 HDi		02.2007		03.0137-3015.2	653015	BRAKE SHOE SET	4241 N6 , 4800A001
	2,4		07.2007		03.0137-3015.2	653015	BRAKE SHOE SET	4241 N6 , 4800A001

New partnumbers on stock - according to applications

10/2009



	i				Description	OE numbers per ATE pn.	i e.g. replaced pn. / miscellaneous
--	----------	--	--	--	--------------------	-------------------------------	---

PORSCHE

CAYENNE (03-)	3,2		10.2003	12.2006	03.2126-3014.3	010811	TANDEM MASTER CYL.	955 355 015 00 , 955 355 015 10 , 955 355 015 20 , 7H0 611 019 A , 7H0 611 019 B , 7L0 611 019 A , 7L0 611 019 E	
	3,6		01.2007		03.2126-3014.3	010811	TANDEM MASTER CYL.	955 355 015 00 , 955 355 015 10 , 955 355 015 20 , 7H0 611 019 A , 7H0 611 019 B , 7L0 611 019 A , 7L0 611 019 E	
	4,5 S		09.2002	12.2006	03.2126-3014.3	010811	TANDEM MASTER CYL.	955 355 015 00 , 955 355 015 10 , 955 355 015 20 , 7H0 611 019 A , 7H0 611 019 B , 7L0 611 019 A , 7L0 611 019 E	
	4,5 Turbo		09.2002	12.2006	03.2126-3014.3	010811	TANDEM MASTER CYL.	955 355 015 00 , 955 355 015 10 , 955 355 015 20 , 7H0 611 019 A , 7H0 611 019 B , 7L0 611 019 A , 7L0 611 019 E	
	4,8 GTS		10.2007		03.2126-3014.3	010811	TANDEM MASTER CYL.	955 355 015 00 , 955 355 015 10 , 955 355 015 20 , 7H0 611 019 A , 7H0 611 019 B , 7L0 611 019 A , 7L0 611 019 E	
	4,8 S		01.2007		03.2126-3014.3	010811	TANDEM MASTER CYL.	955 355 015 00 , 955 355 015 10 , 955 355 015 20 , 7H0 611 019 A , 7H0 611 019 B , 7L0 611 019 A , 7L0 611 019 E	
	4,8 Turbo		01.2007		03.2126-3014.3	010811	TANDEM MASTER CYL.	955 355 015 00 , 955 355 015 10 , 955 355 015 20 , 7H0 611 019 A , 7H0 611 019 B , 7L0 611 019 A , 7L0 611 019 E	

New partnumbers on stock - according to applications

10/2009



	i				Description	OE numbers per ATE pn.	i e.g. replaced pn. / miscellaneous
--	----------	--	--	--	-------------	------------------------	---

PORSCHE

SUZUKI

SWIFT III (05-)	1,3 DDiS	RL	08.2005		24.5279-0305.3	330946	BRAKE HOSE	51580-62J00	
	1,3 i 16V	RL	02.2005		24.5279-0305.3	330946	BRAKE HOSE	51580-62J00	
	1,3 i 16V 4x4	RL	01.2006		24.5279-0305.3	330946	BRAKE HOSE	51580-62J00	
	1,5 VVTi	RL	02.2005		24.5279-0305.3	330946	BRAKE HOSE	51580-62J00	
	1,6 VVTi	RL	05.2006		24.5279-0305.3	330946	BRAKE HOSE	51580-62J00	

New partnumbers on stock - according to applications

10/2009



					Description	OE numbers per ATE pn.		e.g. replaced pn. / miscellaneous
--	--	--	--	--	-------------	------------------------	--	-----------------------------------

TOYOTA

AURIS (07-)	1,4 D-4D		03.2007		24.5274-0180.3	330941	BRAKE HOSE	90947-02E30	
	1,4 VVTi		03.2007		24.5274-0180.3	330941	BRAKE HOSE	90947-02E30	
	1,6 VVTi		03.2007		24.5274-0180.3	330941	BRAKE HOSE	90947-02E30	
	2,0 D-4D		03.2007		24.5274-0180.3	330941	BRAKE HOSE	90947-02E30	
	2,2 D-4D		03.2007		24.5274-0180.3	330941	BRAKE HOSE	90947-02E30	
AVENSIS (03-)	1,6 i 16V		04.2003		24.5276-0240.3	330943	BRAKE HOSE	90947-02E85	
	1,8 i 16V		04.2003		24.5276-0240.3	330943	BRAKE HOSE	90947-02E85	
	2,0 D-4D		04.2003		24.5276-0240.3	330943	BRAKE HOSE	90947-02E85	
			03.2006		24.5276-0240.3	330943	BRAKE HOSE	90947-02E85	
	2,0 i 16V		04.2003		24.5276-0240.3	330943	BRAKE HOSE	90947-02E85	
	2,2 D-4D		10.2005		24.5276-0240.3	330943	BRAKE HOSE	90947-02E85	
	2,2 D-CAT		07.2005		24.5276-0240.3	330943	BRAKE HOSE	90947-02E85	
	2,4 i 16V		09.2003		24.5276-0240.3	330943	BRAKE HOSE	90947-02E85	
			10.2003		24.5276-0240.3	330943	BRAKE HOSE	90947-02E85	
AVENSIS VERSO (01-05)	2,0 D4-D (CLM20)	RR	08.2001	07.2005	24.5235-0250.3	330917	BRAKE HOSE	90947-02C80	
	2,0 VVTi (ACM20)	RR	08.2001	07.2005	24.5235-0250.3	330917	BRAKE HOSE	90947-02C80	
COROLLA (06-)	1,4 D-4D (NDE150)		11.2006		24.5274-0180.3	330941	BRAKE HOSE	90947-02E30	
	1,4 VVTi (ZZE150)		11.2006		24.5274-0180.3	330941	BRAKE HOSE	90947-02E30	
	1,6 VVTi (ZRE151)		11.2006		24.5274-0180.3	330941	BRAKE HOSE	90947-02E30	

New partnumbers on stock - according to applications

10/2009



					Description	OE numbers per ATE pn.	 e.g. replaced pn. / miscellaneous
---	---	---	---	---	--------------------	-------------------------------	--

TOYOTA

COROLLA (06-)	2,0 D-4DF (ADE150)		11.2006		24.5274-0180.3	330941	BRAKE HOSE	90947-02E30	
COROLLA VERSO (04-)	1,6 VVTi (ZNR10)		05.2004		24.5275-0200.3	330942	BRAKE HOSE	90947-02E84	
	1,8 VVTi (ZNR11)		05.2004		24.5275-0200.3	330942	BRAKE HOSE	90947-02E84	
	2,0 D-4D (CUR10)		05.2004	08.2005	24.5275-0200.3	330942	BRAKE HOSE	90947-02E84	
	2,2 D-4D (AUR10)		09.2005		24.5275-0200.3	330942	BRAKE HOSE	90947-02E84	

New partnumbers on stock - according to applications

10/2009



					Description	OE numbers per ATE pn.		e.g. replaced pn. / miscellaneous
--	--	--	--	--	-------------	------------------------	--	-----------------------------------

VOLKSWAGEN

CADDY III (04-)	1,4		02.2004		24.5280-0500.3	330953	BRAKE HOSE	2K0 611 775 C , 2K0 611 775 D	
	1,4 16V		05.2006		24.5280-0500.3	330953	BRAKE HOSE	2K0 611 775 C , 2K0 611 775 D	
	1,6		04.2004		24.5280-0500.3	330953	BRAKE HOSE	2K0 611 775 C , 2K0 611 775 D	
	1,9 TDI		09.2005		24.5280-0500.3	330953	BRAKE HOSE	2K0 611 775 C , 2K0 611 775 D	
			02.2004		24.5280-0500.3	330953	BRAKE HOSE	2K0 611 775 C , 2K0 611 775 D	
	2,0 Eco Fuel		04.2006		24.5280-0500.3	330953	BRAKE HOSE	2K0 611 775 C , 2K0 611 775 D	
	2,0 SDI		02.2004		24.5280-0500.3	330953	BRAKE HOSE	2K0 611 775 C , 2K0 611 775 D	
	2,0 TDI		09.2007		24.5280-0500.3	330953	BRAKE HOSE	2K0 611 775 C , 2K0 611 775 D	
TOUAREG (03-)	2,5 R5 TDI		01.2003		03.2126-3014.3	010811	TANDEM MASTER CYL.	955 355 015 00 , 955 355 015 10 , 955 355 015 20 , 7H0 611 019 A , 7H0 611 019 B , 7L0 611 019 A , 7L0 611 019 E	
	3,0 V6 TDI		11.2004		03.2126-3014.3	010811	TANDEM MASTER CYL.	955 355 015 00 , 955 355 015 10 , 955 355 015 20 , 7H0 611 019 A , 7H0 611 019 B , 7L0 611 019 A , 7L0 611 019 E	

New partnumbers on stock - according to applications

10/2009



		 		Description	OE numbers per ATE pn.	 e.g. replaced pn. / miscellaneous
---	---	---	---	--------------------	-------------------------------	--

VOLKSWAGEN

TOUAREG (03-)	3,0 V6 TDI		10.2007		03.2126-3014.3	010811	TANDEM MASTER CYL.	955 355 015 00 , 955 355 015 10 , 955 355 015 20 , 7H0 611 019 A , 7H0 611 019 B , 7L0 611 019 A , 7L0 611 019 E	
	3,2 V6		11.2002	12.2005	03.2126-3014.3	010811	TANDEM MASTER CYL.	955 355 015 00 , 955 355 015 10 , 955 355 015 20 , 7H0 611 019 A , 7H0 611 019 B , 7L0 611 019 A , 7L0 611 019 E	
	3,6 V6 FSI		01.2006		03.2126-3014.3	010811	TANDEM MASTER CYL.	955 355 015 00 , 955 355 015 10 , 955 355 015 20 , 7H0 611 019 A , 7H0 611 019 B , 7L0 611 019 A , 7L0 611 019 E	
	4,2 V8		12.2002	11.2006	03.2126-3014.3	010811	TANDEM MASTER CYL.	955 355 015 00 , 955 355 015 10 , 955 355 015 20 , 7H0 611 019 A , 7H0 611 019 B , 7L0 611 019 A , 7L0 611 019 E	
	4,2 V8 FSI		12.2006		03.2126-3014.3	010811	TANDEM MASTER CYL.	955 355 015 00 , 955 355 015 10 , 955 355 015 20 , 7H0 611 019 A , 7H0 611 019 B , 7L0 611 019 A , 7L0 611 019 E	
	5,0 TDI R50		01.2008		03.2126-3014.3	010811	TANDEM MASTER CYL.	955 355 015 00 , 955 355 015 10 , 955 355 015 20 , 7H0 611 019 A , 7H0 611 019 B , 7L0 611 019 A , 7L0 611 019 E	
	5,0 V10 TDI		11.2002		03.2126-3014.3	010811	TANDEM MASTER CYL.	955 355 015 00 , 955 355 015 10 , 955 355 015 20 , 7H0 611 019 A , 7H0 611 019 B , 7L0 611 019 A , 7L0 611 019 E	

New partnumbers on stock - according to applications

10/2009



					Description	OE numbers per ATE pn.		e.g. replaced pn. / miscellaneous
--	--	--	--	--	-------------	------------------------	--	-----------------------------------

VOLKSWAGEN

TOUAREG (03-)	6,0 W12		08.2004	11.2006	03.2126-3014.3	010811	TANDEM MASTER CYL.	955 355 015 00 , 955 355 015 10 , 955 355 015 20 , 7H0 611 019 A , 7H0 611 019 B , 7L0 611 019 A , 7L0 611 019 E	
TRANSPORTER (T5) (03-)	1,9 TDI	RL	01.2006		24.5140-0241.3	330948	BRAKE HOSE	7H8 611 779 , 7H8 611 733	
		RL	04.2003		24.5140-0241.3	330948	BRAKE HOSE	7H8 611 779 , 7H8 611 733	
		RL	06.2006		24.5140-0241.3	330948	BRAKE HOSE	7H8 611 779 , 7H8 611 733	
			01.2006		03.2126-3014.3	010811	TANDEM MASTER CYL.	955 355 015 00 , 955 355 015 10 , 955 355 015 20 , 7H0 611 019 A , 7H0 611 019 B , 7L0 611 019 A , 7L0 611 019 E	
			04.2003		03.2126-3014.3	010811	TANDEM MASTER CYL.	955 355 015 00 , 955 355 015 10 , 955 355 015 20 , 7H0 611 019 A , 7H0 611 019 B , 7L0 611 019 A , 7L0 611 019 E	
			06.2006		03.2126-3014.3	010811	TANDEM MASTER CYL.	955 355 015 00 , 955 355 015 10 , 955 355 015 20 , 7H0 611 019 A , 7H0 611 019 B , 7L0 611 019 A , 7L0 611 019 E	
	2	RL	06.2003		24.5140-0241.3	330948	BRAKE HOSE	7H8 611 779 , 7H8 611 733	
			06.2003		03.2126-3014.3	010811	TANDEM MASTER CYL.	955 355 015 00 , 955 355 015 10 , 955 355 015 20 , 7H0 611 019 A , 7H0 611 019 B , 7L0 611 019 A , 7L0 611 019 E	
	2,5 TDI	RL	02.2003		24.5140-0241.3	330948	BRAKE HOSE	7H8 611 779 , 7H8 611 733	

New partnumbers on stock - according to applications

10/2009



				Description	OE numbers per ATE pn.	 e.g. replaced pn. / miscellaneous
--	--	--	--	--------------------	-------------------------------	---------------------------------------

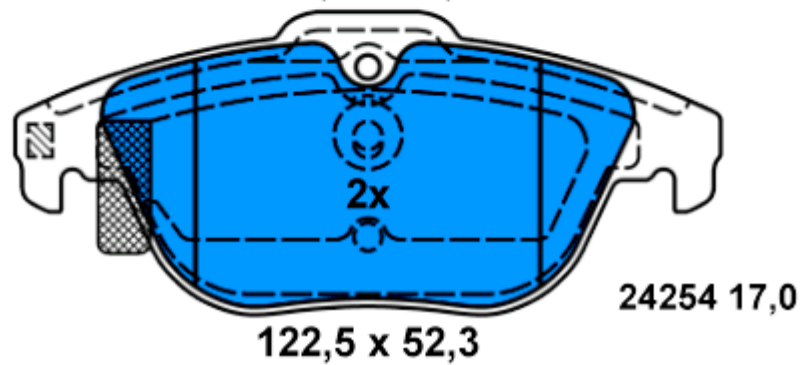
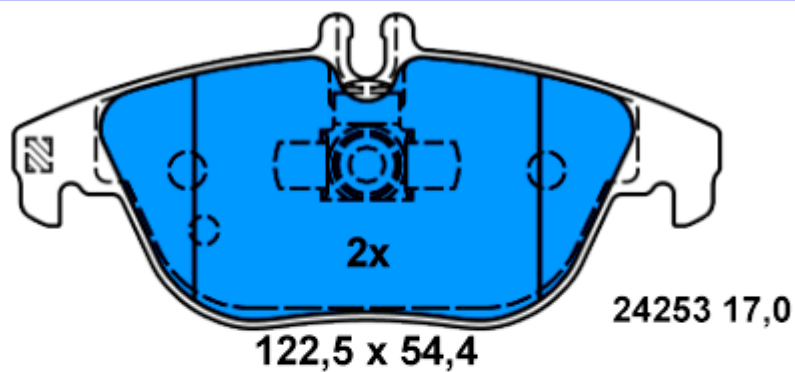
VOLKSWAGEN

TRANSPORTER (T5) (03-)	2,5 TDI		02.2003		03.2126-3014.3	010811	TANDEM MASTER CYL.	955 355 015 00 , 955 355 015 10 , 955 355 015 20 , 7H0 611 019 A , 7H0 611 019 B , 7L0 611 019 A , 7L0 611 019 E	
	2,5 TDI 4motion	RL	07.2004		24.5140-0241.3	330948	BRAKE HOSE	7H8 611 779 , 7H8 611 733	
			07.2004		03.2126-3014.3	010811	TANDEM MASTER CYL.	955 355 015 00 , 955 355 015 10 , 955 355 015 20 , 7H0 611 019 A , 7H0 611 019 B , 7L0 611 019 A , 7L0 611 019 E	
	3,2 V6	RL	02.2003		24.5140-0241.3	330948	BRAKE HOSE	7H8 611 779 , 7H8 611 733	
			02.2003		03.2126-3014.3	010811	TANDEM MASTER CYL.	955 355 015 00 , 955 355 015 10 , 955 355 015 20 , 7H0 611 019 A , 7H0 611 019 B , 7L0 611 019 A , 7L0 611 019 E	
	3,2 V6 4motion	RL	07.2004		24.5140-0241.3	330948	BRAKE HOSE	7H8 611 779 , 7H8 611 733	
			07.2004		03.2126-3014.3	010811	TANDEM MASTER CYL.	955 355 015 00 , 955 355 015 10 , 955 355 015 20 , 7H0 611 019 A , 7H0 611 019 B , 7L0 611 019 A , 7L0 611 019 E	

NEW ATE PAD ON STOCK



13.0460-7244.2 607244



General applications - Details see Detail List

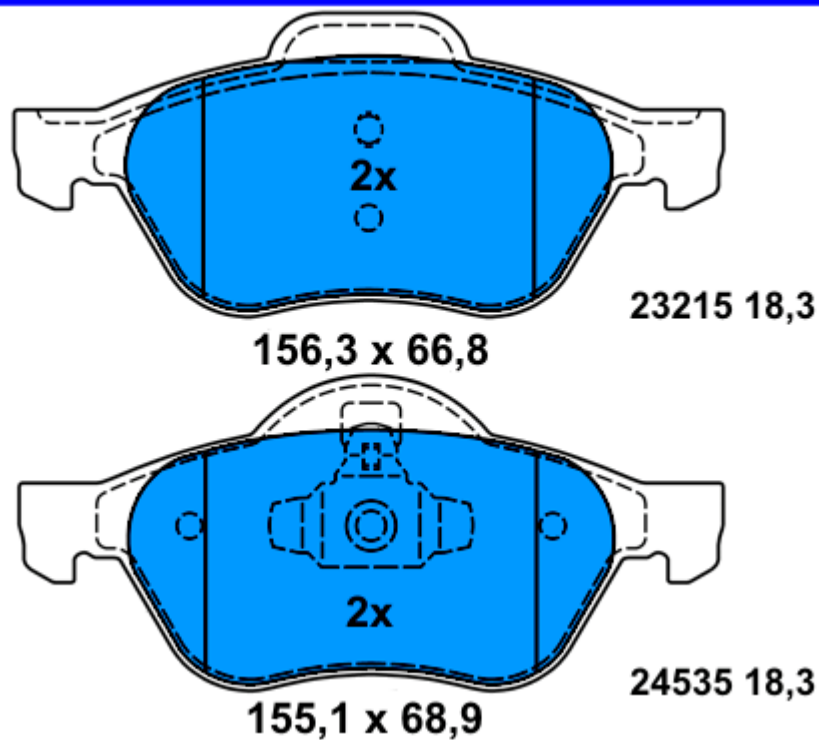
MERCEDES BENZ C-Klasse (S204) Kombi (07-)
MERCEDES BENZ C-Klasse (W204) Limousine (07-)
MERCEDES BENZ E-Klasse (C207) Coupe (09-)



NEW ATE PAD ON STOCK



13.0460-7221.2 607221



General applications - Details see Detail List

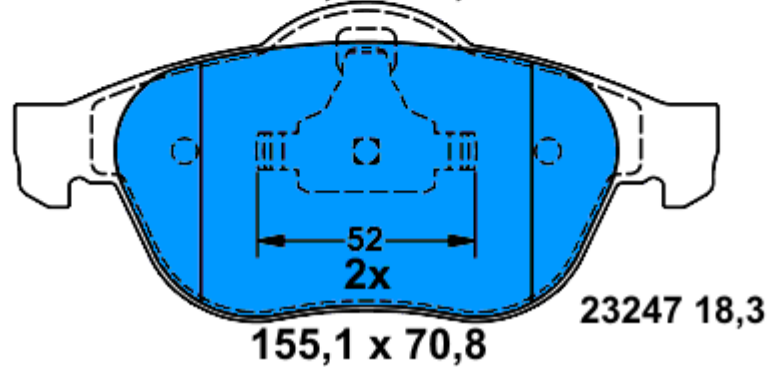
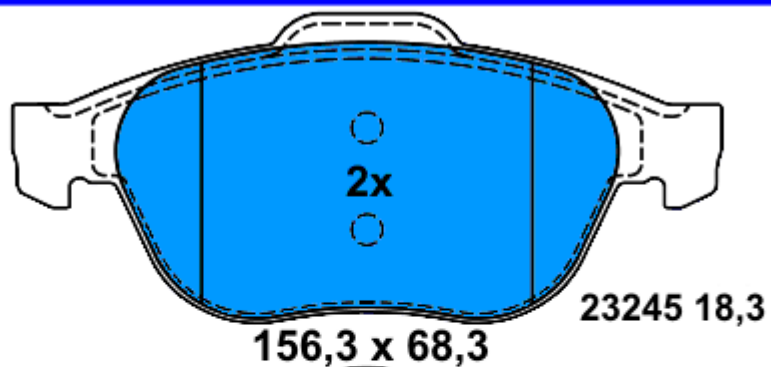
RENAULT MEGANE II Coupe/Cabrio (EM_) (03-)
RENAULT MEGANE II Grandtour (KM_) (03-)
RENAULT MEGANE II Limousine 3/5-t?rig (BM/CM_) (02-)
RENAULT MEGANE II Limousine 4-t?rig (LM_) (03-)
RENAULT SCENIC II (JM_) (03-09)



NEW ATE PAD ON STOCK



13.0460-7158.2 607158



General applications - Details see Detail List

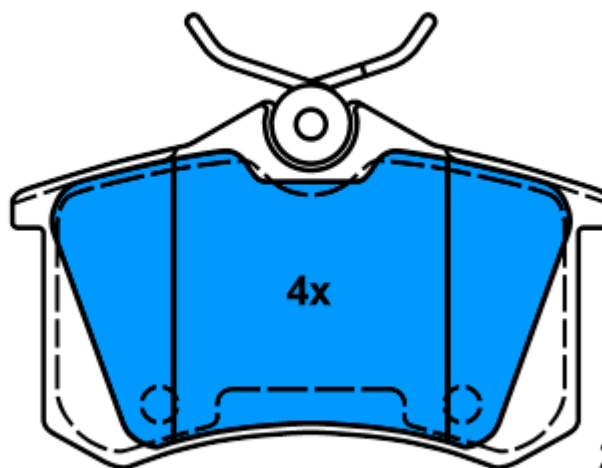
RENAULT LAGUNA II Grandtour (KG_) (01-07)
RENAULT LAGUNA II Limousine (BG_) (01-07)



NEW ATE PAD ON STOCK



13.0460-2740.2 602740



87,2 x 53,0

General applications - Details see Detail List

PEUGEOT 308 CC (09-)
PEUGEOT 308 Limousine (07-)
PEUGEOT 308 SW (08-)

